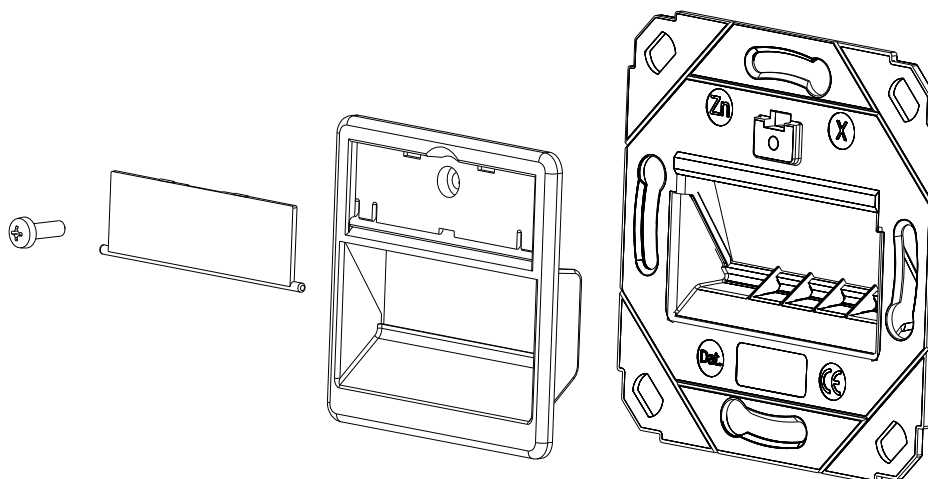


# Technical Datasheet


*Data Outlet SL for until 3 Keystones, with central plate 50x50mm*

## Order codes:

Single: CKVDUSL1R  
 Double: CKVDUSL2R  
 Triple: CKVDUSL3R



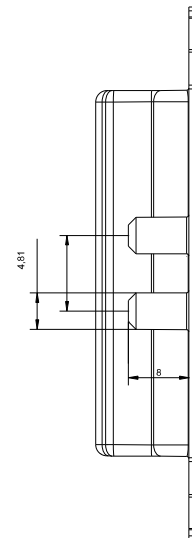
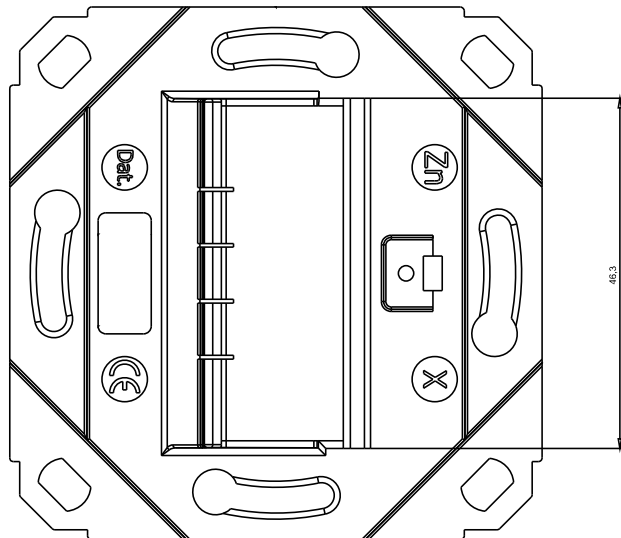
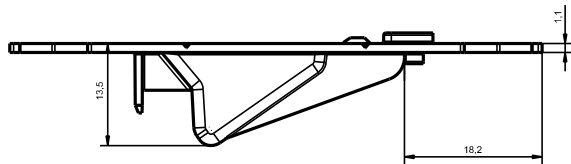
All rights reserved ZVK GmbH D-94244 Teisnach Technologiecampus 2 Germany Phone: +49 9923 804379-0 Fax: +49 9923 804379-50 www.zvk-gmbh.de

				drawn	22.02.2016	MJ	 <b>EasyLan</b> <sup>®</sup> ...for a better connectivity
				appr.	22.02.2016	GF	
Titel: Data Outlet SL for until 3 Keystones, with central plate 50x50mm						Dimensions: mm	
Drawing number: ZN-BL161015						Original: DIN A4	
a	Änderung Neuerstellung	24.01.2023 22.02.2016	MW MJ			Sheet 1 of 4	
Index	Revision code	Date	Name				

# Technical Data

Materials	
frame	zinc diecast
screw	M2,5x5 mm steel
central plate	PC white (RAL9010)
Fitting Modules (ZVK)	
fixLink SL Keystone Cat.6 <sub>A</sub> ISO/IEC	Ordering code: CKFAK001 / CKFAKFL1
fixLink SL Keystone Cat.6 <sub>A</sub> ISO/IEC, angled	Ordering code: CKWAK07 / CKWAKFL7
fixLink Pro Keystone Cat.6 <sub>A</sub> ISO/IEC	Ordering code: CKFAK002 / CKFAKFL2
fixLink Pro+ Keystone Cat.8.1 ISO/IEC	Ordering code: CKFAK002P+
preLink SL Keystone Cat.6 <sub>A</sub> ISO/IEC	Ordering code: CKPAS011 / CKPAS021
preLink SL Keystone Cat.6 <sub>A</sub> ISO/IEC, angled	Ordering code: CKWAS011 / CKWAS021

## Drawing



All rights reserved ZVK GmbH D-94244 Teisnach Technologicampus 2 Germany Phone: +49 9923 804379-0 Fax: +49 9923 804379-50 www.zvk-gmbh.de

a	Änderung Neuerstellung	24.01.2023 22.02.2016	MW MJ	drawn	22.02.2016	MJ
				appr.	22.02.2016	GF
Index	Revision code	Date	Name	Titel: Data Outlet SL for until 3 Keystones, with central plate 50x50mm		
				Drawing number: ZN-BL161015		

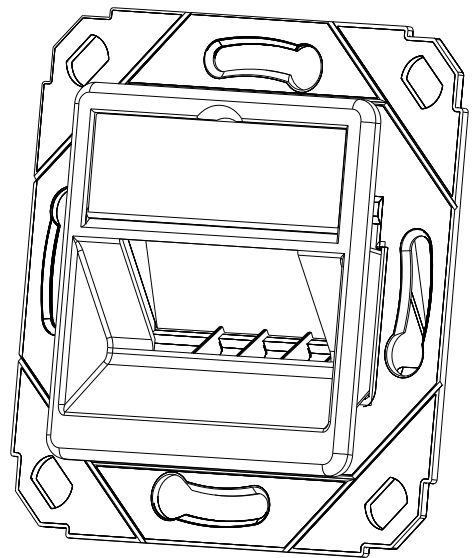
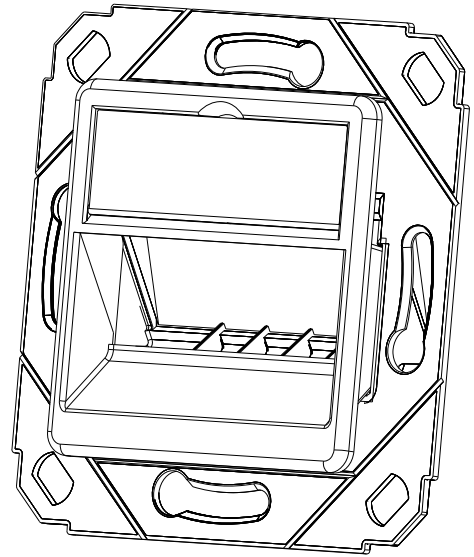
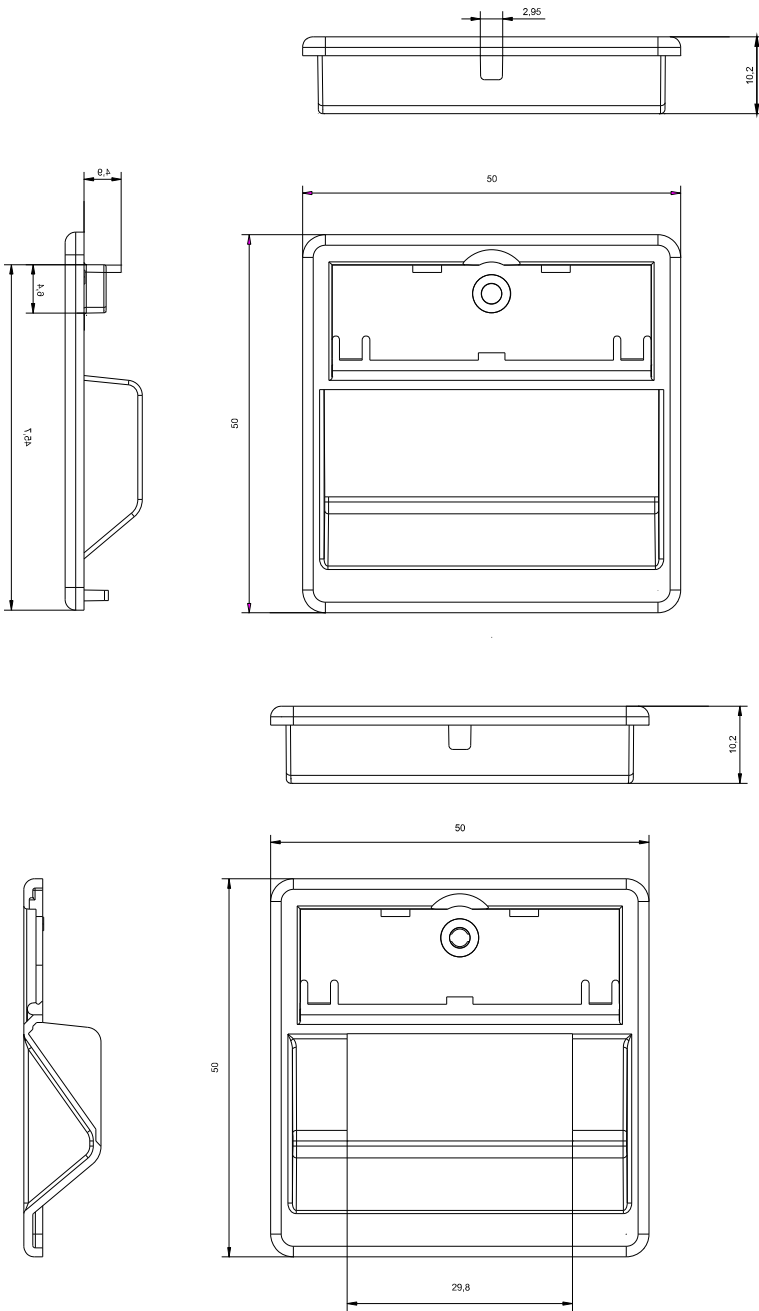


Dimensions: mm

Original: DIN A4

Sheet 2 of 4

# Drawing

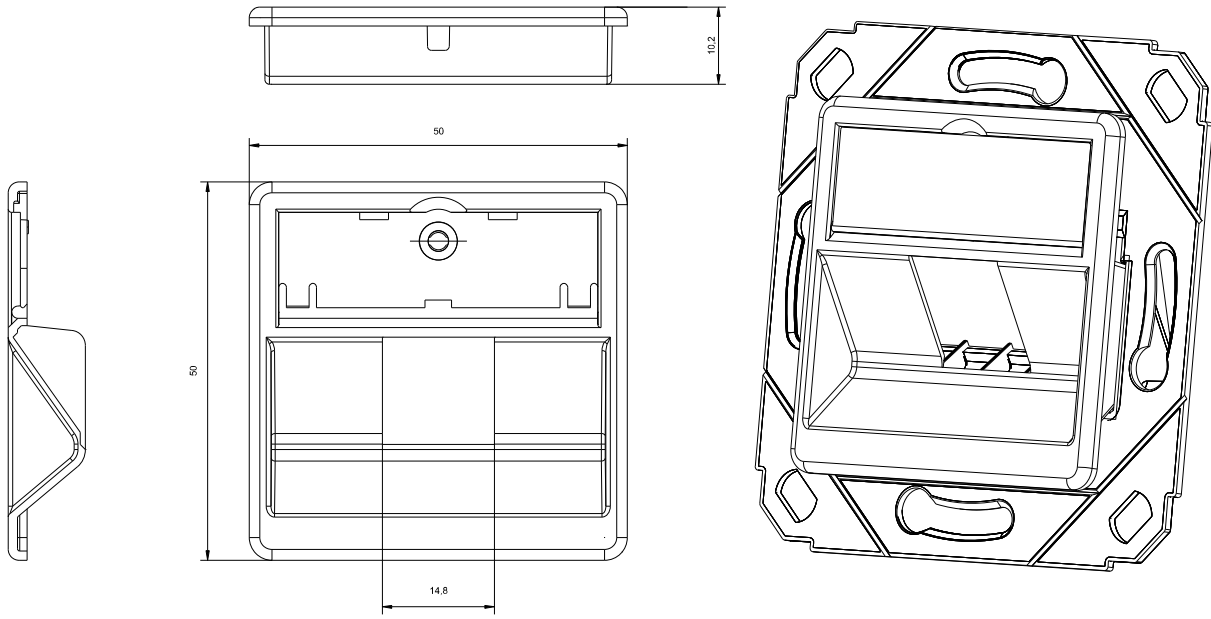


All rights reserved ZVK GmbH D-94244 Teisnach Technologiecampus 2 Germany Phone: +49 9923 804379-0 Fax: +49 9923 804379-50 www.zvk-gmbh.de


a	Änderung Neuerstellung	24.01.2023 22.02.2016	MW MJ	drawn	22.02.2016	MJ
				appr.	22.02.2016	GF
Index				<b>Titel:</b> Data Outlet SL for until 3 Keystones, with central plate 50x50mm		
Revision code				<b>Drawing number:</b> ZN-BL161015		
Date				Dimensions: mm		
Name				Original: DIN A4		
				Sheet 3 of 4		



# Drawing



All rights reserved ZVK GmbH D-94244 Teisnach Technologiecampus 2 Germany Phone: +49 9923 804379-0 Fax: +49 9923 804379-50 www.zvk-gmbh.de

				drawn	22.02.2016	MJ
				appr.	22.02.2016	GF
Index	Revision code	Date	Name	<b>Titel:</b> Data Outlet SL for until 3 Keystones, with central plate 50x50mm		
				Drawing number: <b>ZN-BL161015</b>		
				 <b>EasyLan</b> <sup>®</sup> ...for a better connectivity		
				Dimensions: mm		
				Original: DIN A4		
				Sheet 4 of 4		