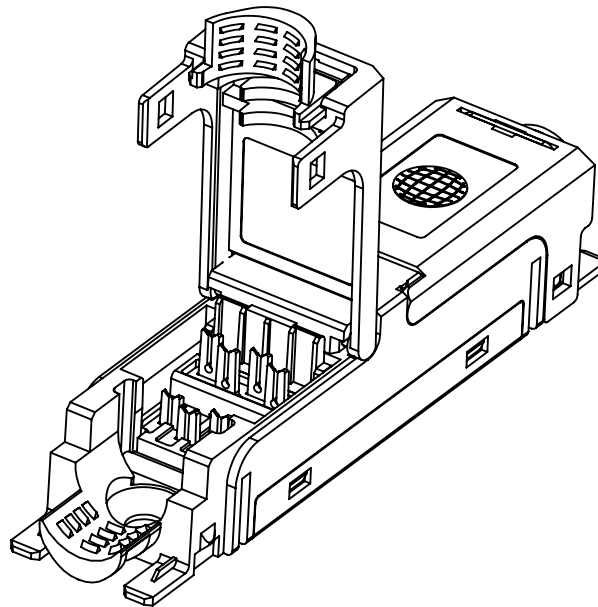


# Technical datasheet


## *fixLink*<sup>®</sup> Extender Kat. 6<sub>A</sub> ISO/IEC

AWG 24 - AWG 22

**Order Code: CKEFFL00**




All rights reserved ZVK GmbH D-94244 Teisnach Technologiecampus 2 Germany Phone: +49 9923 804379-0 Fax: +49 9923 804379-50 www.zvk-gmbh.de

				drawn	01.04.2015	MJ	 <b>EasyLan</b> <sup>®</sup> ...for a better connectivity
				appr.	02.04.2015	GF	
				Titel: <b>fixLink<sup>®</sup> Extender Kat. 6<sub>A</sub> ISO/IEC</b> <b>AWG 24-22</b>			Dimensions: mm
				Drawing number: <b>ZN-CU151027</b>			Original: DIN A4
							Sheet 1 of 4
d	Änderung	17.03.2022	MW				
c	Bestellcode	09.03.2017	GF				
b	Anpassungen	20.07.2015	MJ				
a	Neuerstellung	01.04.2015	MJ				
Index	Revision Code	Date	Name				

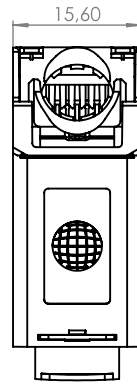
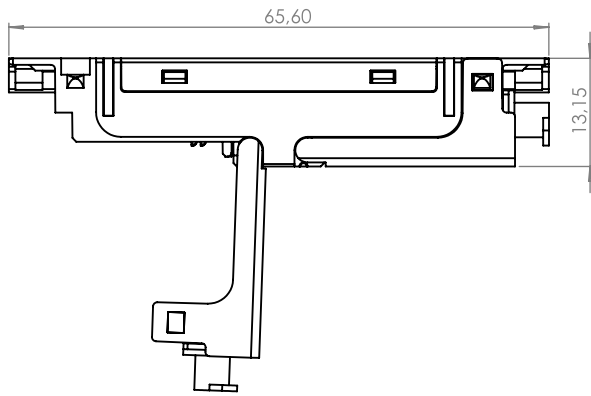
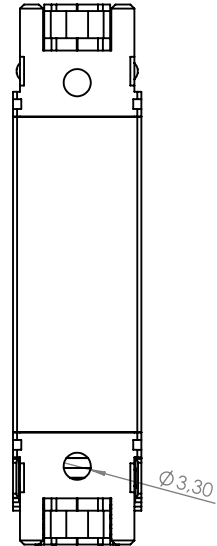
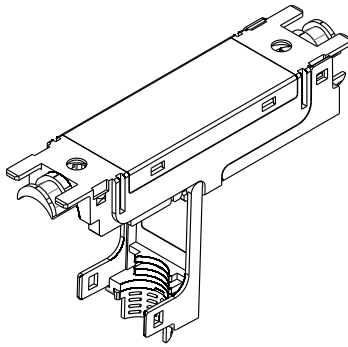
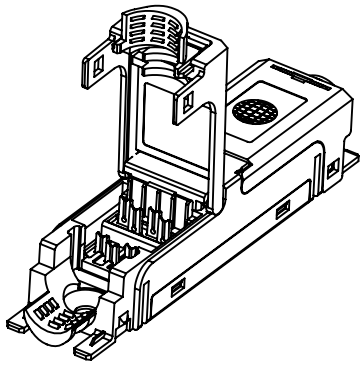
# Technical Data

<b>Mechanical Data</b>	
Conductor diameter	solid 0,51-0,65 mm / AWG 24/1 - AWG 22/1
Insulation diameter	5 - 9 mm
Reusable (Module)	≤ 5 cycles with the same diameter
EC Directive 2002/95/EC (RoHS)	RoHS-compliant
<b>Materials</b>	
Housing	zinc diecast
Strain-relief sliver	zinc diecast
Surface	nickel plating
PCB	FR-4
PCB finish	lead-free
Insulation housing	PA light green (RAL 6027)
Contact support plate	PC yellow (RAL 1021)
IDC	CuNi2Si
IDC finish	min. 3-6 µm (120-240µin) Sn
<b>Environmental Requirements</b>	
Particulate ingress	IP2X
Water ingress	IPX0
Ambient temperature	-40°C to +70°C
<b>Electrical Characteristics</b>	
Contact resistance	≤ 20 mΩ
Insulation resistance	≥ 500 MΩ
Voltage proof - contact-contact	≥ 1000 V (DC)
Voltage proof - contact-shield	≥ 1500 V (DC)
Current carrying capacity at 50°C	1,25 A
4PPoE according to IEEE 802.3bt	adequate
Transfer Impedance at 1 MHz	≤ 100 mΩ
Transfer Impedance at 10 MHz	≤ 200 mΩ
Transfer Impedance at 80 MHz	≤ 1600 mΩ
<b>Transmission Performance</b>	
10 Gigabit Ethernet acc. to IEEE 802.3an	adequate
Class EA	max. length of link 90m
Typical values <sup>1)</sup>	NEXT = 2,0 dB / RL = 4,0 dB


<sup>1)</sup> PL2 measurement: 20m

d Änderung c Bestellcode b Anpassungen a Neuerstellung	17.03.2022 09.03.2017 20.07.2015 01.04.2015	MW GF MJ MJ	drawn	01.04.2015	MJ		
			appr.	02.04.2015	GF		
			Titel: <b>fixLink® Extender Kat. 6<sub>A</sub> ISO/IEC                  AWG 24-22</b>				Dimensions: mm
			Drawing number: <b>ZN-CU151027</b>				Original: DIN A4
Index	Revision Code	Date	Name			Sheet 2 of 4	

# Drawing

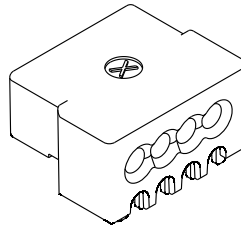


All rights reserved ZVK GmbH D-94244 Teisnach Technologiecampus 2 Germany Phone: +49 9923 804379-0 Fax: +49 9923 804379-50 www.zvk-gmbh.de

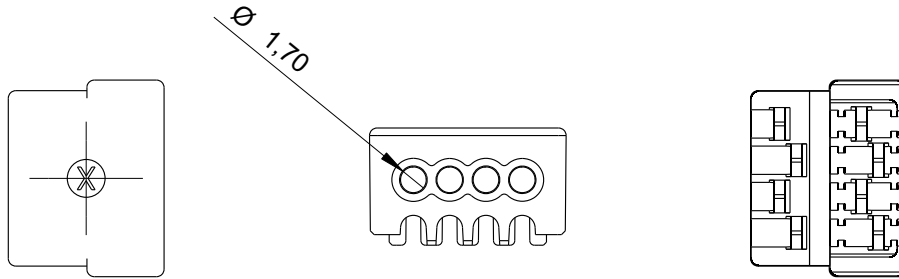
				drawn	01.04.2015	MJ	 <b>EasyLan</b> <sup>®</sup> ...for a better connectivity
				appr.	02.04.2015	GF	
				Titel: <b>fixLink<sup>®</sup> Extender Kat. 6<sub>A</sub> ISO/IEC          AWG 24-22</b>			Dimensions: mm
				Drawing number: <b>ZN-CU151027</b>			Original: DIN A4
Index	Revision Code	Date	Name				Sheet 3 of 4

d	Änderung	17.03.2022	MW
c	Bestellcode	09.03.2017	GF
b	Anpassungen	20.07.2015	MJ
a	Neuerstellung	01.04.2015	MJ

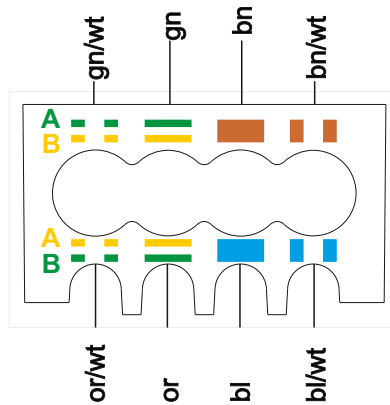
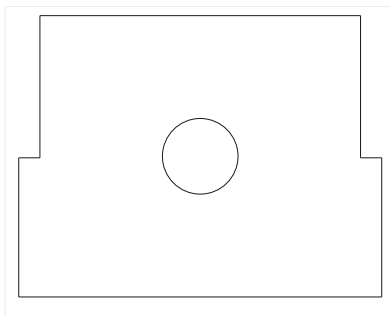
## Drawing



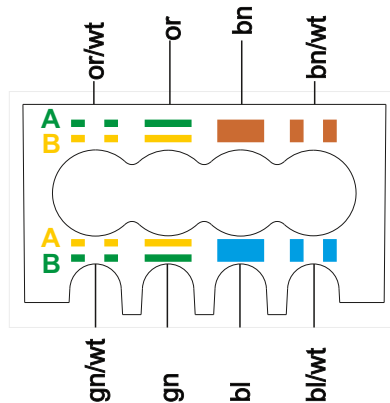
Scale 2:1



## Configuration



Configuration to  
TIA/EIA 568 A



Configuration to  
TIA/EIA 568 B

				drawn	01.04.2015	MJ	
				appr.	02.04.2015	GF	
				Titel: <b>fixLink® Extender Kat. 6<sub>A</sub> ISO/IEC</b> AWG 24-22			Dimensions: mm
				Drawing number: <b>ZN-CU151027</b>			Original: DIN A4
Index	Revision Code	Date	Name				Sheet 4 of 4
d	Änderung	17.03.2022	MW				
c	Bestellcode	09.03.2017	GF				
b	Anpassungen	20.07.2015	MJ				
a	Neuerstellung	01.04.2015	MJ				