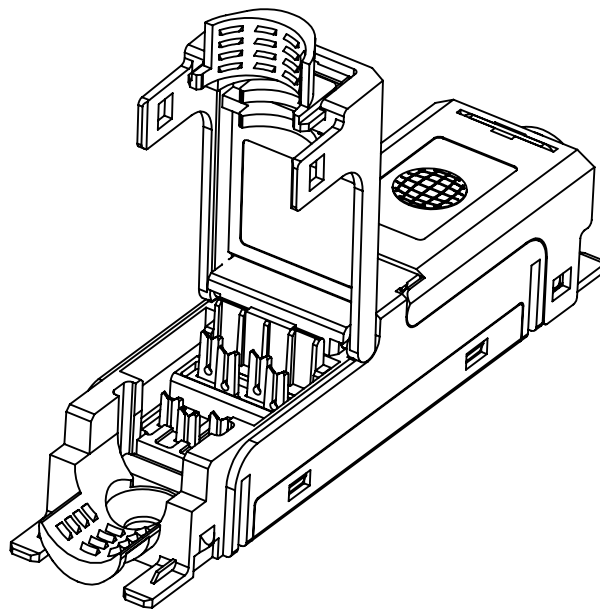


# Technical datasheet


## *fixLink*<sup>®</sup> Extender Kat. 6<sub>A</sub> ISO/IEC

AWG 27 - AWG 26

Artikel Nr. / item No. : CKEFFLFL




All rights reserved ZVK GmbH D-94244 Teisnach Technologiecampus 2 Germany Phone: +49 9923 804379-0 Fax: +49 9923 804379-50 www.zvk-gmbh.de

|       |               |            |      |   |            |    |   |
|-------|---------------|------------|------|---|------------|----|---|
|       |               |            |      | drawn   | 01.04.2015 | MJ |  <b>EasyLan</b> <sup>®</sup><br>...for a better connectivity |
|       |               |            |      | appr.   | 02.04.2015 | GF |   |
|       |               |            |      | Titel:<br><b>fixLink</b> <sup>®</sup> Extender Kat. 6 <sub>A</sub> ISO/IEC<br>AWG 27-26 |            |    | Dimensions: mm  |
|       |               |            |      | Drawing number:<br><b>ZN-CU151030</b>   |            |    | Original: DIN A4  |
| Index | Revision Code | Date       | Name |   |            |    | Sheet 1 of 4  |
| c     | Änderung      | 17.03.2022 | MW   |   |            |    |   |
| b     | Anpassungen   | 20.07.2015 | MJ   |   |            |    |   |
| a     | Neuerstellung | 01.04.2015 | MJ   |   |            |    |   |

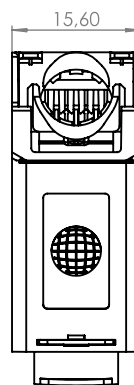
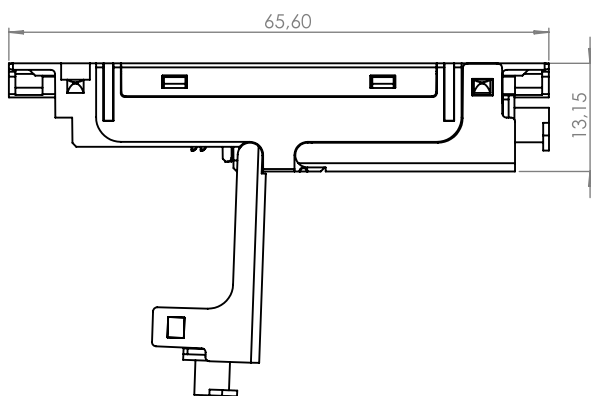
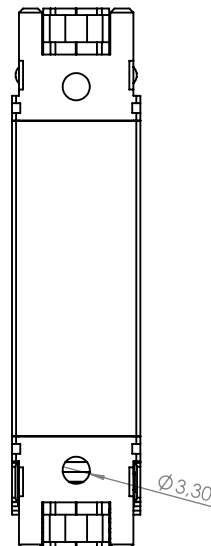
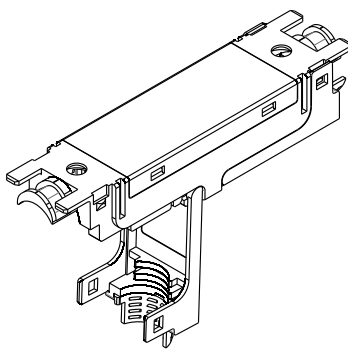
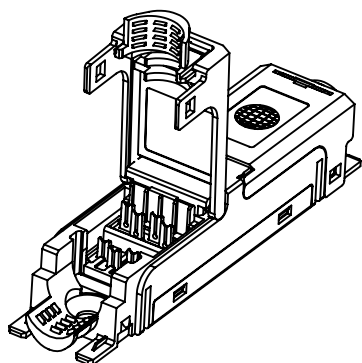
# Technical Data

|  |  |
|--|--|
| <b>Mechanical Data</b>                   |  |
| Conductor diameter                       | flex / stranded 0,457-0,483 mm / AWG 27/7 - AWG 26/7 |
| Insulation diameter                      | 5 - 9 mm   |
| Reusable (Module)                        | ≤ 5 cycles with the same diameter                    |
| EC Directive 2002/95/EC (RoHS)           | RoHS-compliant                                       |
| <b>Materials</b>                         |  |
| Housing                                  | zinc diecast   |
| Strain-relief sliver                     | zinc diecast   |
| Surface                                  | nickel plating                                       |
| PCB                                      | FR-4   |
| PCB finish                               | lead-free  |
| Insulation housing                       | PA light green (RAL 6027)                            |
| Contact support plate                    | PC white (RAL 9010)                                  |
| IDC                                      | CuNi2Si  |
| IDC finish                               | min. 3-6 µm (120-240µin) Sn                          |
| <b>Environmental Requirements</b>        |  |
| Particulate ingress                      | IP2X   |
| Water ingress                            | IPX0   |
| Ambient temperature                      | -40°C to +70°C                                       |
| <b>Electrical Characteristics</b>        |  |
| Contact resistance                       | ≤ 20 mΩ  |
| Insulation resistance                    | ≥ 500 MΩ   |
| Voltage proof - contact-contact          | ≥ 1000 V (DC)  |
| Voltage proof - contact-shield           | ≥ 1500 V (DC)  |
| Current carrying capacity at 50°C        | 1,25 A   |
| 4PPoE according to IEEE 802.3bt          | adequate   |
| Transfer Impedance at 1 MHz              | ≤ 100 mΩ   |
| Transfer Impedance at 10 MHz             | ≤ 200 mΩ   |
| Transfer Impedance at 80 MHz             | ≤ 1600 mΩ  |
| <b>Transmission Performance</b>          |  |
| 10 Gigabit Ethernet acc. to IEEE 802.3an | adequate   |
| Class EA (ISO/IEC 11801)                 | max. length of link 90m                              |
| Typical values <sup>1)</sup>             | NEXT = 2,0 dB / RL = 4,0 dB                          |

<sup>1)</sup> PL2 measurement: 20m

|  |               |               |      |                           |   |   |                                       |
|--|---------------|---------------|------|---------------------------|---|---|---------------------------------------|
| c<br>b<br>a  | Änderung      | 17.03.2022    | MW   | drawn<br>01.04.2015<br>MJ |  |   |                                       |
|  | Anpassungen   | 20.07.2015    | MJ   |                           |   | appr.<br>02.04.2015<br>GF   |                                       |
|  | Neuerstellung | 01.04.2015    | MJ   |                           |   | Titel:<br><b>fixLink® Extender Kat. 6<sub>A</sub> ISO/IEC</b><br><b>AWG 27-26</b> |                                       |
|  | Index         | Revision Code | Date |                           |   | Name  | Drawing number:<br><b>ZN-CU151030</b> |
| Dimensions: mm<br>Original: DIN A4<br>Sheet 2 of 4 |               |               |      |                           |   |   |                                       |

# Drawing

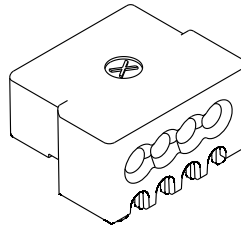


All rights reserved ZVK GmbH D-94244 Teisnach Technologiecampus 2 Germany Phone: +49 9923 804379-0 Fax: +49 9923 804379-50 www.zvk-gmbh.de

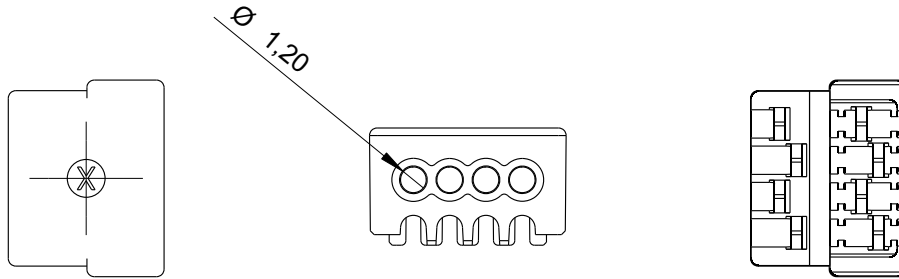
|       |               |            |      |  |            |    |
|-------|---------------|------------|------|--|------------|----|
|       |               |            |      | drawn  | 01.04.2015 | MJ |
|       |               |            |      | appr.  | 02.04.2015 | GF |
|       |               |            |      | Titel:<br><b>fixLink® Extender Kat. 6<sub>A</sub> ISO/IEC<br/>                 AWG 27-26</b> |            |    |
| c     | Änderung      | 17.03.2022 | MW   | Dimensions: mm<br>Original: DIN A4<br>Sheet 3 of 4   |            |    |
| b     | Anpassungen   | 20.07.2015 | MJ   |  |            |    |
| a     | Neuerstellung | 01.04.2015 | MJ   |  |            |    |
| Index | Revision Code | Date       | Name | Drawing number:<br><b>ZN-CU151030</b>  |            |    |



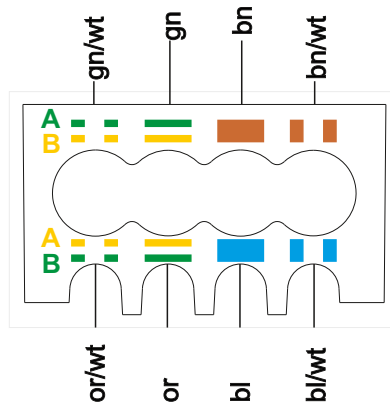
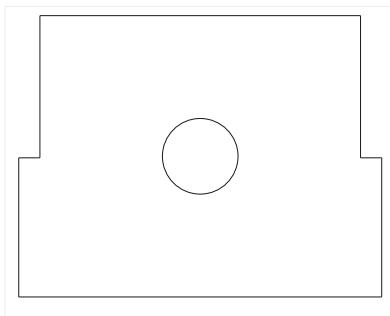
## Drawing



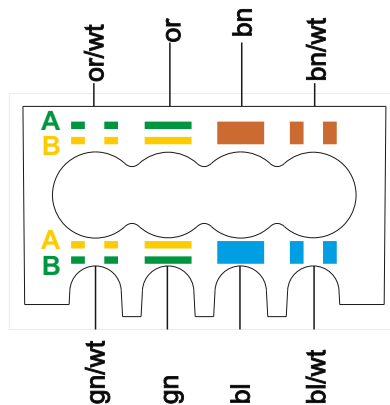
Scale 2:1




## Configuration



Configuration to  
TIA/EIA 568 A



Configuration to  
TIA/EIA 568 B

|  |  |                |   |                    |            |    |   |              |
|--|--|----------------|---|--------------------|------------|----|---|--------------|
|  |  |                |   | drawn              | 01.04.2015 | MJ |  <b>EasyLan</b> <sup>®</sup><br>...for a better connectivity |              |
|  |  |                |   | appr.              | 02.04.2015 | GF |   |              |
| c Änderung<br>b Anpassungen<br>a Neuerstellung | 17.03.2022<br>20.07.2015<br>01.04.2015 | MW<br>MJ<br>MJ | Titel:<br><b>fixLink<sup>®</sup> Extender Kat. 6<sub>A</sub> ISO/IEC</b><br>AWG 27-26 | Dimensions: mm     |            |    |   |              |
|  |  |                |   | Original: DIN A4   |            |    |   |              |
| Index  | Revision Code                          | Date           | Name  | <b>ZN-CU151030</b> |            |    |   | Sheet 4 of 4 |