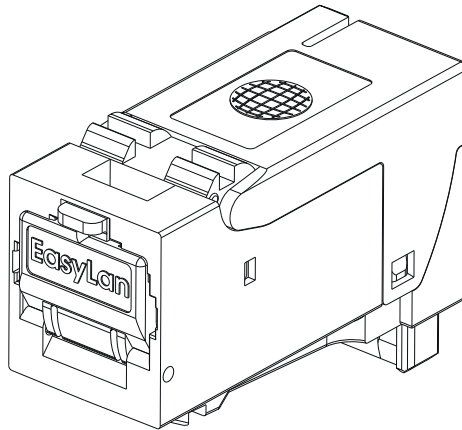



Technical datasheet

fixLink[®] SL Cat. 6_A ISO/IEC AWG 27 - AWG 26

Item No. : CKFAKFL1 / CKFAKFL1EP




				drawn	20.10.2015	MJ	 EasyLan [®] ...for a better connectivity
				appr.	20.10.2015	GF	
				Titel: fixLink[®] SL Cat. 6_A ISO/IEC AWG 27 - AWG 26			Dimensions: mm
				Drawing number: ZN-CU151083			Original: DIN A4
							Sheet 1 von / of 4
d	Changing	01.10.2020	LP				
c	PoE Überarbeitet	17.07.2017	MJ				
b	Bestellcode	09.03.2017	GF				
a	Neuerstellung	20.10.2015	MJ				
Index	Revision code	Date	Name				

Technical Data

Connector standard	IEC 60603-7-51
Mechanische Eigenschaften	
Life (mating cycles)	≥ 750
Insertion force	≤ 30N
Conductor diameter	flex / stranded 0,457-0,483 mm / AWG 27/7 - AWG 26/7
Insulation diameter	5 - 9 mm
Reusable (Module)	≤ 5 Zyklen mit gleichen Querschnitt / cycles with the same diameter
EC Directive 2002/95/EC (RoHS)	RoHS-konform / RoHS-compliant
Materials	
Housing	Zinkdruckguß / zinc diecast
Strain-relief sliver	Zinkdruckguß / zinc diecast
Surface	vernickelt / nickel plated
Shield spring	Edelstahl / stainless steel
PCB	FR-4
PCB finish	HAL bleifrei / lead-free
Contacts	Federstahl / spring steel
Contact finish	1,27 µm / 50µin Au
Insulation housing	PA lichtgrün / light green (RAL 6027)
Contact support plate	PC weiß / white (RAL 9010)
Dust protection cover	PC transparent / clear
IDC	CuNi2Si
IDC finish	min. 3-6 µm (120-240µin) Sn
Environmental Requirements	
Particulate ingress	IP2X
Water ingress	IPX0
Ambient temperature	-40°C bis / to +70°C
Packaging material	biologisch abbaubar / bio-degradable
Electrical Characteristics	
Contact resistance	≤ 20 mΩ
Insulation resistance	≥ 500 MΩ
Voltage proof - contact-contact	≥ 1000 V (DC)
Voltage proof - contact-shield	≥ 1500 V (DC)
Current carrying capacity at 50°C	1,25 A
PoE according to IEEE 802.3at / IEEE802.3bt	Geeignet / adequate
Transfer Impedance at 1 MHz	≤ 100 mΩ
Transfer Impedance at 10 MHz	≤ 200 mΩ
Transfer Impedance at 80 MHz	≤ 1600 mΩ

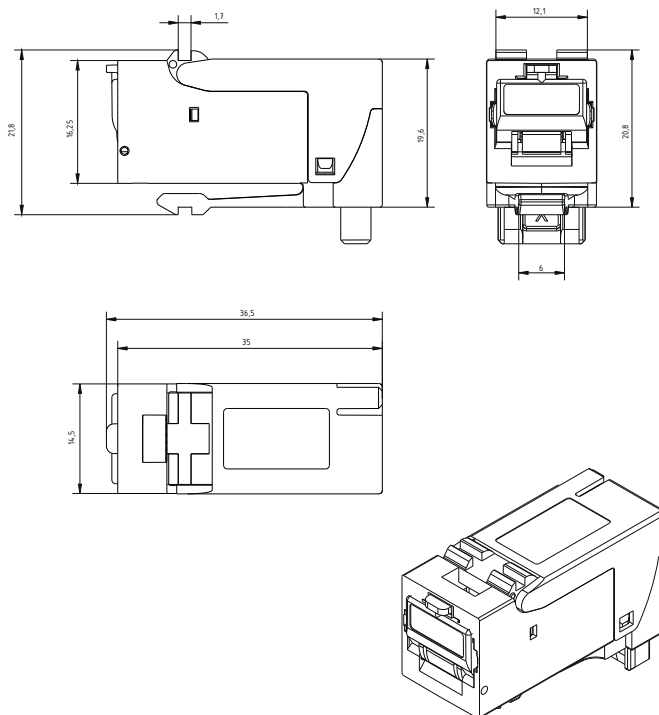
All rights reserved ZVK GmbH D-94244 Teisnach Technologyecampus 2 Germany Phone: +49 9923 804379-0 Fax: +49 9923 804379-50 www.zvk-gmbh.de alle Angaben ohne Gewähr

d Changing c PoE überarbeitet b Bestellcode a Neuerstellung	01.10.2020 17.07.2017 09.03.2017 20.10.2015	LP MJ GF MJ	drawn	20.10.2015	MJ		
			appr.	20.10.2015	GF		
			Titel: fixLink[®] SL Cat. 6_A ISO/IEC AWG 27 - AWG 26				Dimensions: mm
			Drawing number: ZN-CU151083				Original: DIN A4
Index	Revision code	Date	Name	Sheet 2 von / of 4			

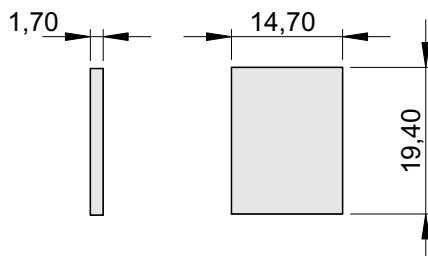
Technical Data

Transmission Performance	
10 Gigabit Ethernet acc. to IEEE 802.3an	Geeignet / adequate
GHMT approved (PoE type III / IV)	DIN IEC 60512-99-001:2013 & DIN IEC 60512-9-3:2010
Categorie 6 _A	ISO/IEC 11801; DIN EN 50173-1
Class EA	gem. ISO/IEC 11801 Amendment 1/2 Linklänge typ. > 2 m, in Kombination mit einem CP-Kabel: CP-Link typ. > 10 m 10 GbE wird unterstützt / typical link length > 2 m, in combination with a CP-cable: CP-Link typ. > 10 m 10 GbE is supported


Drawing



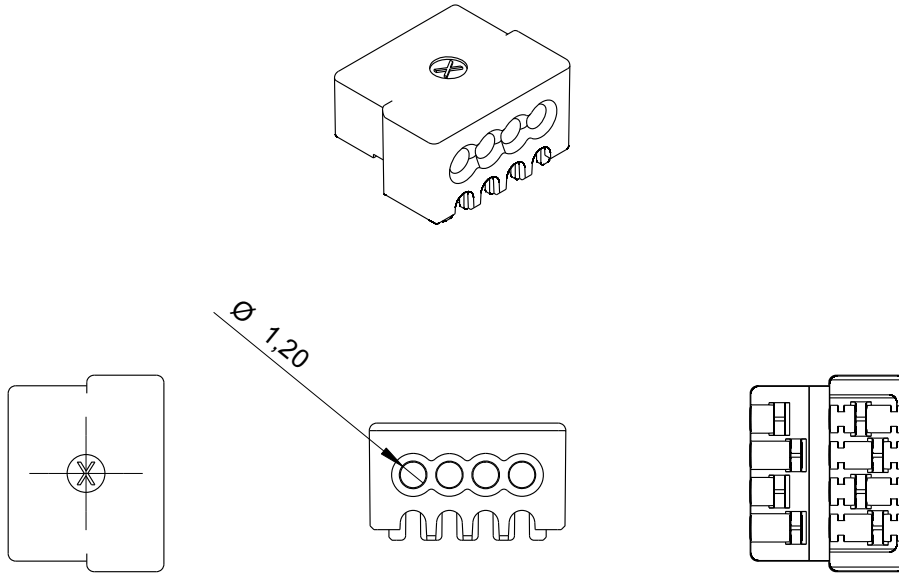
Gap size



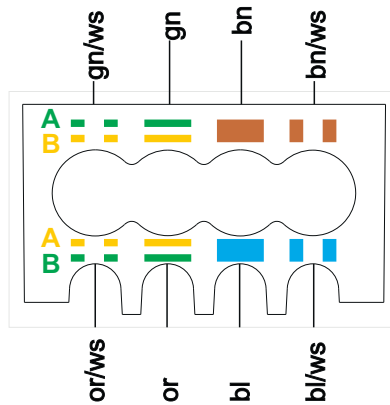
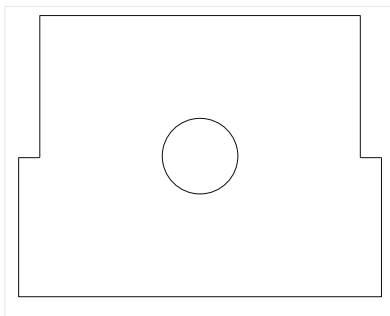
All rights reserved ZVK GmbH D-94244 Teisnach Technologiecampus 2 Germany Phone: +49 9923 804379-0 Fax: +49 9923 804379-50 www.zvk-gmbh.de alle Angaben ohne Gewähr

d Changing c PoE überarbeitet b Bestellcode a Neuerstellung	01.10.2020 17.07.2017 09.03.2017 20.10.2015	LP MJ GF MJ	drawn	20.10.2015	MJ	 EasyLan [®] ...for a better connectivity		
			appr.	20.10.2015	GF			
			Titel: fixLink[®] SL Cat. 6_A ISO/IEC AWG 27 - AWG 26				Dimensions: mm	
			Drawing number: ZN-CU151083				Original: DIN A4	
Index	Revision code	Date	Name	Sheet 3 von / of 4				

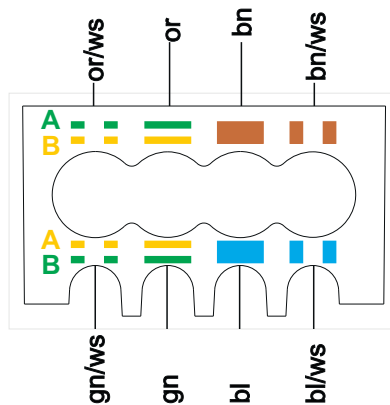
Drawing



Configuration



Belegung nach
TIA/EIA 568 A /
Configuration to
TIA/EIA 568 A



Belegung nach
TIA/EIA 568 B /
Configuration to
TIA/EIA 568 B

Index	Revision code	Date	Name	drawn	20.10.2015	MJ
				appr.	20.10.2015	GF
				Titel: fixLink® SL Cat. 6_A ISO/IEC AWG 27 - AWG 26		
				Drawing number: ZN-CU151083		



Dimensions: mm

Original: DIN A4

Sheet 4 von / of 4