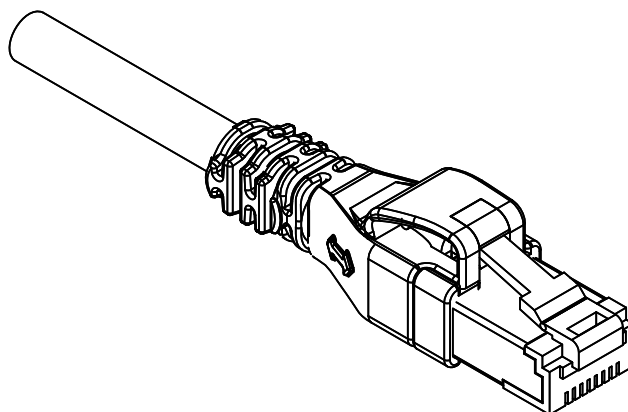



Technical Datasheet

EasyLan Patch Cord DualBoot PushPull Cat.6 ISO/IEC

Order No. : see on page 3




All rights reserved ZVK GmbH D-94244 Teisnach Technologiecampus 2 Germany Phone: +49 9923 804379-0 Fax: +49 9923 804379-50 www.zvk-gmbh.de

| | | | | | | | | |
|------------------------------|---|---|---------------------------------|---|------------|----|--|------------------|
| <small>c b a</small> | <small>Änderung Ergänzung Neuerstellung</small> | <small>15.11.2021 21.05.2019 14.09.2017</small> | <small>MW LP LP</small> | drawn | 14.09.2017 | LP |  EasyLan [®] <small>...for a better connectivity</small> | |
| | | | | appr. | 14.09.2017 | MJ | | |
| | | | | <small>Titel:</small> EasyLan Patch Cord DualBoot PushPull Cat.6 ISO/IEC | | | | Dimensions: mm |
| | | | | <small>Drawing Number:</small> ZN-CU171102 | | | | Original: DIN A4 |
| <small>Index</small> | <small>Revision Code</small> | <small>Date</small> | <small>Name</small> | | | | Sheet 1 of 3 | |

Technical Data

| | |
|---------------------------------------|--|
| General Data | |
| Connection | 1:1 |
| Colors | white, black, gray, red, yellow, green, blue, turquoise, violet, orange |
| Identification possibility | Colorclips (Order No.: CPZHS7BOX) |
| Cable Characteristics | |
| Cable type | S/FTP |
| Number twisting elements | 4P+1 |
| Twisting elements | Pair |
| Configuration | LSHF (LSOH) acc. EN50290-2-27 |
| Braid | AWG26/7 |
| Category | Cat. 6 ISO/IEC |
| Shielding | shielded |
| Connector Characteristics | |
| Housing material | Polycarbonate |
| Pin plating | Au (Gold) |
| Environmental Conditions | |
| Temperature range during operation | -25°C to + 60°C |
| Temperature range during installation | 0°C to + 50°C |
| Approvals | |
| RoHS | conform |
| Standards | |
| General requests | ISO/IEC 11801 Ed.2.2: 2011-06 DIN EN 50173-1: 2011-09 TIA/EIA 568-C.2 DIN EN IEC 60332-3-24 |
| Plug | DIN EN 60603-7 |
| Transmission Characteristics | |
| Category (ISO) | 6 |
| Category (TIA) | 6 |
| Remote powering | yes |
| PoE | IEEE 802.3af |
| PoE + | IEEE 802.3at |
| PoE ++ | IEEE 802.3bt |
| UPoE | yes |
| HDBaseT | yes |
| Bit rate up to 10 GBit | IEEE 802.3an |

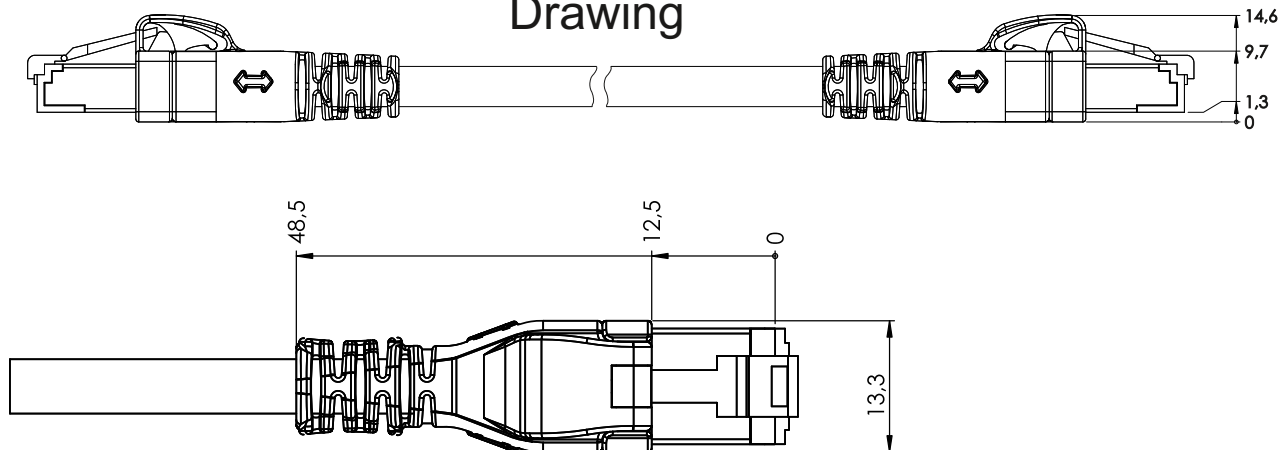
All rights reserved ZVK GmbH D-94244 Teisnach Technologiecampus 2 Germany Phone: +49 9923 804379-0 Fax: +49 9923 804379-50 www.zvk-gmbh.de

| | | | | | | | | | |
|-------------|--|--|----------------|--|------------|----|---|------------------|--|
| c b a | Änderung Ergänzung Neuerstellung | 15.11.2021 21.05.2019 14.09.2017 | MW LP LP | drawn | 14.09.2017 | LP |  EasyLan [®] ...for a better connectivity | | |
| | | | | appr. | 14.09.2017 | MJ | | | |
| | | | | Titel: EasyLan Patch Cord DualBoot PushPull Cat.6 ISO/IEC | | | | Dimensions: mm | |
| | | | | Drawing Number: ZN-CU171102 | | | | Original: DIN A4 | |
| Index | Revision Code | Date | Name | Sheet 2 of 3 | | | | | |

Technical Data

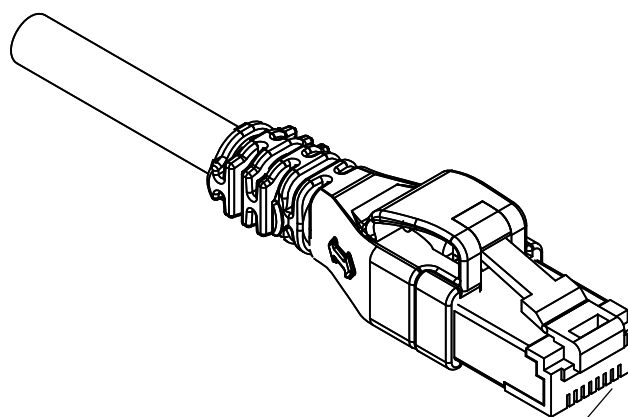
| | |
|-----------------------------------|---|
| Electrical Characteristics | |
| Loop resistance | 290 Ω/km |
| Insulation resistance | ≥5000 MΩ*km |
| Characteristic impedance | 100 ± 3Ω |
| Propagation delay | 10ns / 100m |
| Packaging Unit | 0,1 m - ≤5,0 m = 5 pcs >5,0 m = 1 pc |

Drawing



| Farbe / Color | Order No. |
|---------------|-----------------|
| white | CPP1PWCWCW0000* |
| black | CPP1OSCS0000* |
| gray | CPP1OACACA0000* |
| red | CPP1ORCRCR0000* |
| yellow | CPP1OYCYCY0000* |
| green | CPP1OGCGCG0000* |
| blue | CPP1OBCBCB0000* |
| turquoise | CPP1OTCTCT0000* |
| violet | CPP1OVCVCV0000* |
| orange | CPP1OOCOCO0000* |

*Length in dm
e.g. 0010 = 1 m



dimension RJ45
according to IEC 60603-7

| | | | | | | |
|---------------|--|--|----------------|--|------------|----|
| c b a | Änderung Ergänzung Neuerstellung | 15.11.2021 21.05.2019 14.09.2017 | MW LP LP | drawn | 14.09.2017 | LP |
| | | | | appr. | 14.09.2017 | MJ |
| Index | | | | Titel: EasyLan Patch Cord DualBoot PushPull Cat.6 ISO/IEC | | |
| Revision Code | | | | Drawing Number: ZN-CU171102 | | |
| Date | | | | | | |
| Name | | | | | | |



Dimensions: mm

Original: DIN A4

Sheet 3 of 3