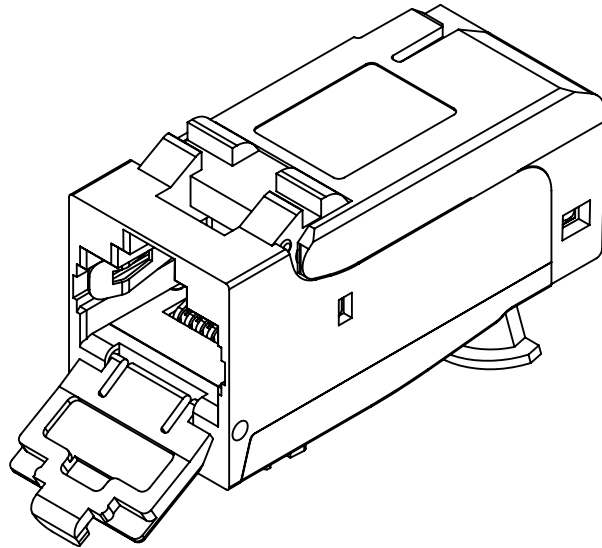



# Technical datasheet

## *fixLink*<sup>®</sup> Kat. 6<sub>A</sub> ISO/IEC WA AWG 24 - AWG 22


**Item No. : CKWAK007 / CKWAK007EP**



c b a	PoE überarbeitet Bestellcode Neuerstellung	17.07.2017 09.03.2017 01.07.2016	MJ GF MJ	drawn	01.07.2016	MJ	 <b>EasyLan</b> <sup>®</sup> ...for a better connectivity	
				appr.	04.07.2016	GF		
				Titel: <b>fixLink<sup>®</sup> Kat. 6<sub>A</sub> ISO/IEC WA</b> AWG 24 - AWG 22				Dimensions: mm
				Drawing number: <b>ZN-CU161034</b>				Original: DIN A4
Index	Revision code	Date	Name				Sheet 1 von / of 4	

# Technical Data

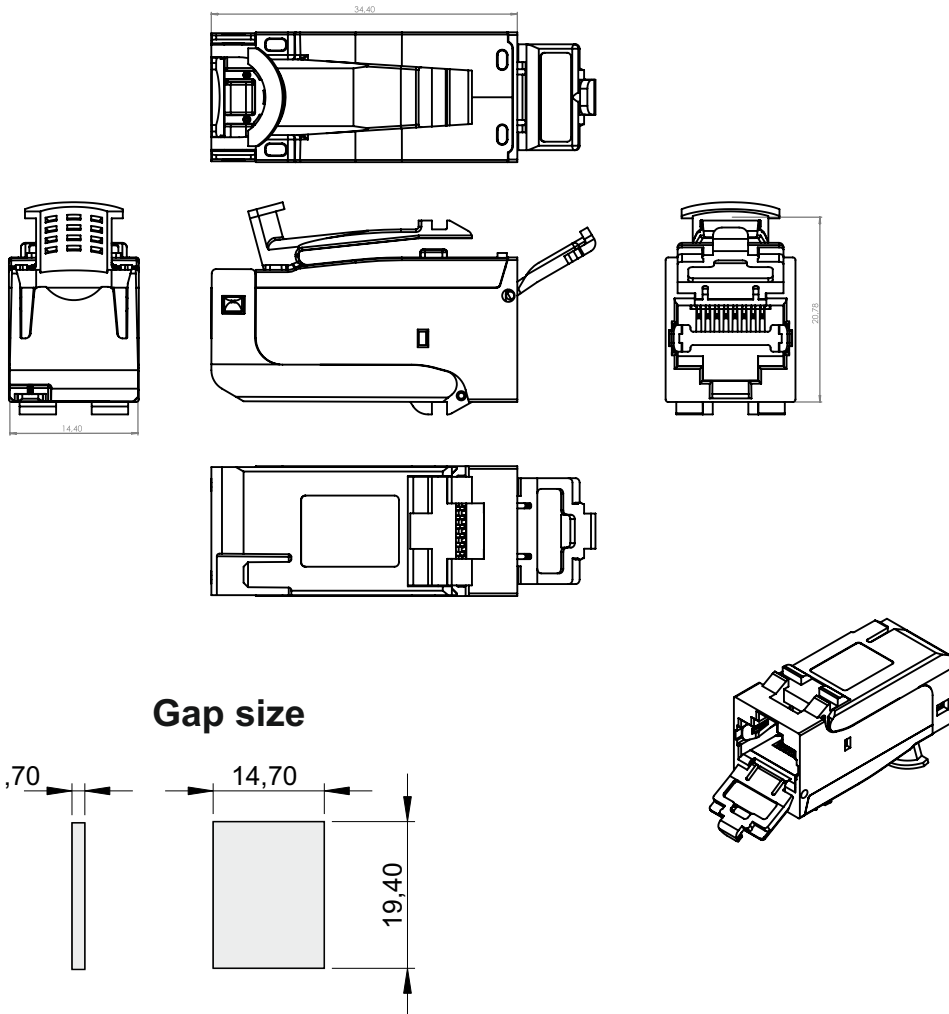
<b>Connector standard</b>	IEC 60603-7-51
<b>Mechanische Eigenschaften</b>	
Life (mating cycles)	≥ 750
Insertion force	≤ 30N
Conductor diameter	massiv / solid 0,51-0,65 mm / AWG 24/1 - AWG 22/1
Insulation diameter	5 - 9 mm
Reusable (Module)	≤ 5 Zyklen mit gleichen Querschnitt / cycles with the same diameter
EC Directive 2002/95/EC (RoHS)	RoHS-konform / RoHS-compliant
<b>Materials</b>	
Housing	Zinkdruckguß / zinc diecast
Strain-relief sliver	Zinkdruckguß / zinc diecast
Surface	vernickelt / nickel plated
Shield spring	Edelstahl / stainless steel
PCB	FR-4
PCB finish	HAL bleifrei / lead-free
Contacts	Federstahl / spring steel
Contact finish	1,27 µm / 50µin Au
Insulation housing	PA lichtgrün / light green (RAL 6027)
Contact support plate	PC gelb / yellow (RAL 1021)
Dust protection Cover	PC transparent / clear
IDC	CuNi2Si
IDC finish	min. 3-6 µm (120-240µin) Sn
<b>Environmental Requirements</b>	
Particulate ingress	IP2X
Water ingress	IPX0
Ambient temperature	-40°C bis / to +70°C
Packaging material	biologisch abbaubar / bio-degradable
<b>Electrical Characteristics</b>	
Contact resistance	≤ 20 mΩ
Insulation resistance	≥ 500 MΩ
Voltage proof - contact-contact	≥ 1000 V (DC)
Voltage proof - contact-shield	≥ 1500 V (DC)
Current carrying capacity at 50°C	1,25 A
PoE according to IEEE 802.3at / IEEE802.3bt	Geeignet / adequate
Transfer Impedance at 1 MHz	≤ 100 mΩ
Transfer Impedance at 10 MHz	≤ 200 mΩ
Transfer Impedance at 80 MHz	≤ 1600 mΩ

				drawn	01.07.2016	MJ	 <b>EasyLan</b> <sup>®</sup> ...for a better connectivity
				appr.	04.07.2016	GF	
				Titel: <b>fixLink<sup>®</sup> Kat. 6<sub>A</sub> ISO/IEC WA</b> <b>AWG 24 - AWG 22</b>			Dimensions: mm
				Drawing number: <b>ZN-CU161034</b>			Original: DIN A4
							Sheet 2 von / of 4
c	PoE überarbeitet	17.07.2017	MJ				
b	Bestellcode	09.03.2017	GF				
a	Neuerstellung	01.07.2016	MJ				
Index	Revision code	Date	Name				

# Technical Data

<b>Transmission Performance</b>	
10 Gigabit Ethernet acc. to IEEE 802.3an	Geeignet / adequate
GHMT approved (PoE type III / IV)	DIN IEC 60512-99-001:2013 & DIN IEC 60512-9-3:2010
Categorie 6 <sub>A</sub>	ISO/IEC 11801; DIN EN 50173-1
Class EA	gem. ISO/IEC 11801 Amendment 1/2 Linklänge typ. > 2 m, in Kombination mit einem CP-Kabel: CP-Link typ. > 10 m 10 GbE wird unterstützt / typical link length > 2 m, in combination with a CP-cable: CP-Link typ. > 10 m 10 GbE is supported

## Drawing

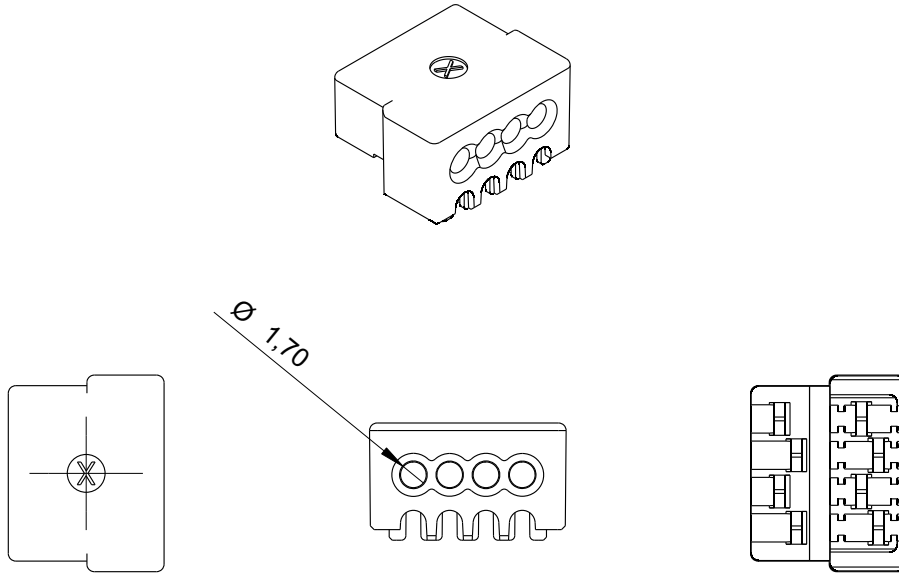


				drawn	01.07.2016	MJ
				appr.	04.07.2016	GF
				Titel: <b>fixLink® Kat. 6<sub>A</sub> ISO/IEC WA</b> AWG 24 - AWG 22		
				Drawing number: <b>ZN-CU161034</b>		
c b a	PoE überarbeitet Bestellcode Neuerstellung	17.07.2017 09.03.2017 01.07.2016	MJ GF MJ			
Index	Revision code	Date	Name			

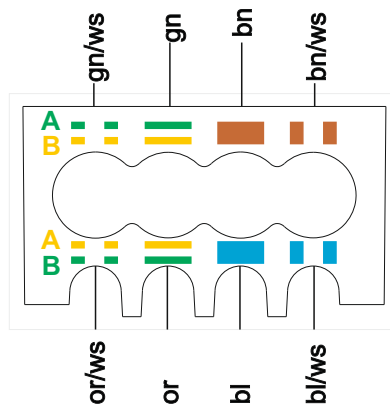
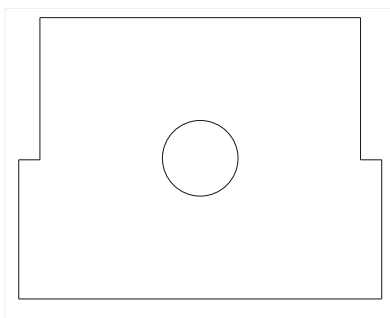


Dimensions: mm  
 Original: DIN A4  
 Sheet 3 von / of 4

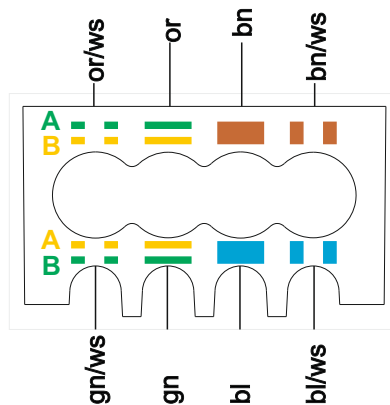
## Drawing



## Configuration



Belegung nach  
TIA/EIA 568 A /  
Configuration to  
TIA/EIA 568 A



Belegung nach  
TIA/EIA 568 B /  
Configuration to  
TIA/EIA 568 B

				drawn	01.07.2016	MJ
				appr.	04.07.2016	GF
c b a	PoE überarbeitet Bestellcode Neuerstellung	17.07.2017 09.03.2017 01.07.2016	MJ GF MJ	Titel:		
				fixLink® Kat. 6 <sub>A</sub> ISO/IEC WA AWG 24 - AWG 22		
Index	Revision code	Date	Name	Drawing number: <b>ZN-CU161034</b>		



Dimensions: mm

Original: DIN A4

Sheet 4 von / of 4