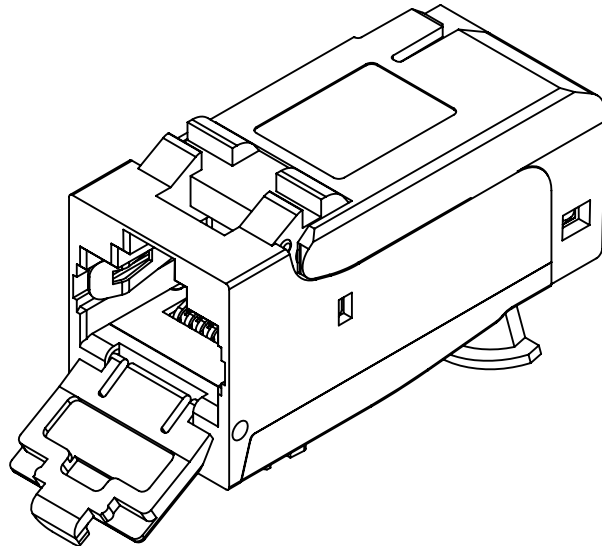



# Technical datasheet

## *fixLink*<sup>®</sup> Kat. 6<sub>A</sub> ISO/IEC WA AWG 27 - AWG 26


**Item No. : CKWAKFL7 / CKWAKFL7EP**



				drawn	01.07.2016	MJ	 <b>EasyLan</b> <sup>®</sup> ...for a better connectivity
				appr.	04.07.2016	GF	
			Titel / titel: <b>fixLink<sup>®</sup> Kat. 6<sub>A</sub> ISO/IEC WA</b> AWG 27 - AWG 26			Dimensions: mm	
			Drawing number: <b>ZN-CU161035</b>			Original: DIN A4	
b a	Bestellcode Neuerstellung	09.03.2017 01.07.2016	GF MJ				Sheet 1 von / of 4
Index	Revision code	Date	Name				

# Technical datasheet

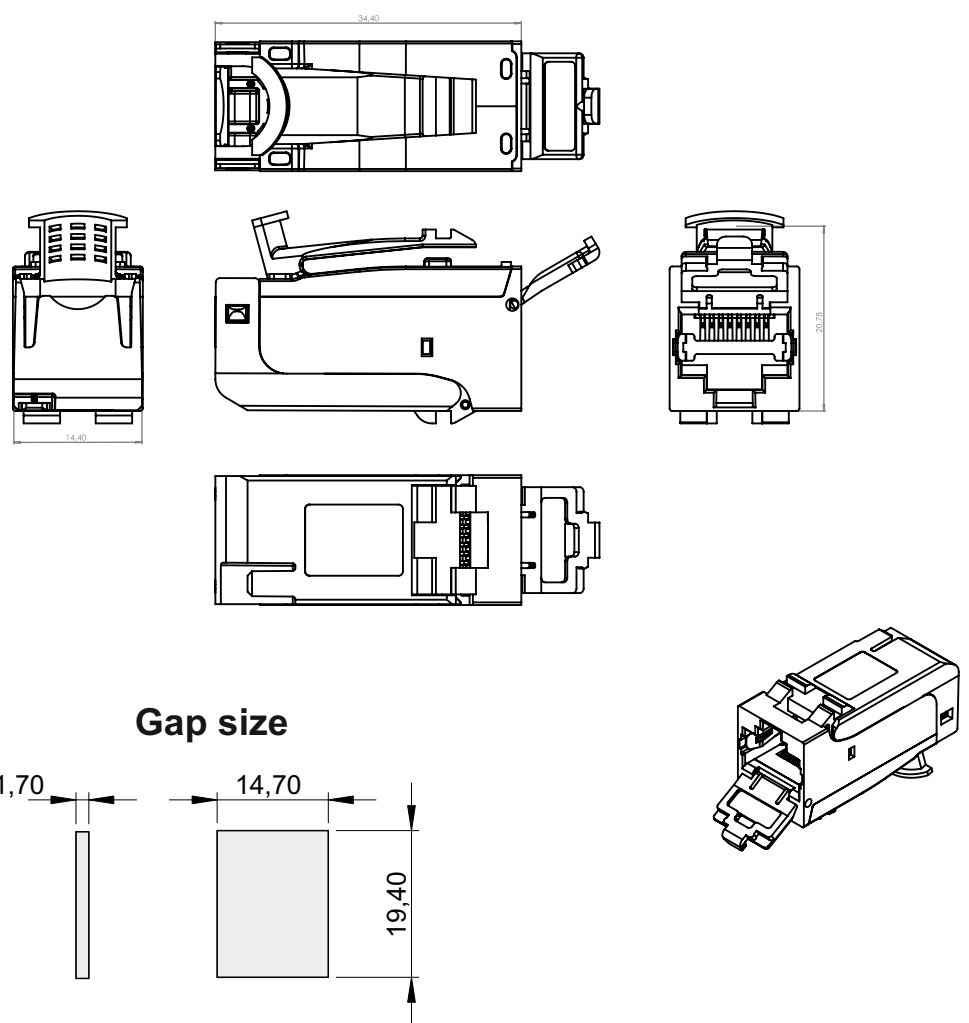
<b>Connector standard</b>	IEC 60603-7-51
<b>Mechanische Eigenschaften</b>	
Life (mating cycles)	≥ 750
Insertion force	≤ 30N
Conductor diameter	flex / stranded 0,457-0,483 mm / AWG 27/7 - AWG 26/7
Insulation diameter	5 - 9 mm
Reusable (Module)	≤ 5 Zyklen mit gleichen Querschnitt / cycles with the same diameter
EC Directive 2002/95/EC (RoHS)	RoHS-konform / RoHS-compliant
<b>Materials</b>	
Housing	Zinkdruckguß / zinc diecast
Strain-relief sliver	Zinkdruckguß / zinc diecast
Surface	vernickelt / nickel plated
Shield spring	Edelstahl / stainless steel
PCB	FR-4
PCB finish	HAL bleifrei / lead-free
Contacts	Federstahl / spring steel
Contact finish	30µm Au
Insulation housing	PA lichtgrün / light green (RAL 6027)
Contact support plate	PC weiß / white (RAL 9010)
Dust protection cover	PC transparent / clear
IDC	CuNi2Si
IDC finish	min. 3-6 µm (120-240µm) Sn
<b>Environmental Requirements</b>	
Particulate ingress	IP2X
Water ingress	IPX0
Ambient temperature	-40°C bis / to +70°C
Packaging material	biologisch abbaubar / bio-degradable
<b>Electrical Characteristics</b>	
Contact resistance	≤ 20 mΩ
Insulation resistance	≥ 500 MΩ
Voltage proof - contact-contact	≥ 1000 V (DC)
Voltage proof - contact-shield	≥ 1500 V (DC)
Current carrying capacity at 50°C	1,25 A
PoE+ according to IEEE 802.3at	Geeignet / adequate
Transfer Impedance at 1 MHz	≤ 100 mΩ
Transfer Impedance at 10 MHz	≤ 200 mΩ
Transfer Impedance at 80 MHz	≤ 1600 mΩ

				drawn	01.07.2016	MJ	 <b style="font-size: 24px;">EasyLan<sup>®</sup></b> ...for a better connectivity
				appr.	04.07.2016	GF	
				Titel / titel: <b style="font-size: 18px;">fixLink<sup>®</sup> Kat. 6<sub>A</sub> ISO/IEC WA</b> <b style="font-size: 18px;">AWG 27 - AWG 26</b>			Dimensions: mm
				Drawing number: <b style="font-size: 24px;">ZN-CU161035</b>			Original: DIN A4
Index	Revision code	Date	Name				Sheet 2 von / of 4

# Technical datasheet

<b>Transmission Performance</b>	
10 Gigabit Ethernet acc. to IEEE 802.3an	Geeignet / adequate
Categorie 6 <sub>A</sub>	ISO/IEC 11801; DIN EN 50173-1
Class EA	gem. ISO/IEC 11801 Amendment 1/2 Linklänge typ. > 2 m, in Kombination mit einem CP-Kabel: CP-Link typ. >10 m 10 GbE wird unterstützt  typical link length > 2 m, in combination with a CP-cable: CP-Link typ. > 10 m 10 GbE is supported

## Drawing



				drawn	01.07.2016	MJ
				appr.	04.07.2016	GF
				Titel / titel: <b>fixLink<sup>®</sup> Kat. 6<sub>A</sub> ISO/IEC WA</b> AWG 27 - AWG 26		
				Drawing number: <b>ZN-CU161035</b>		
b a	Bestellcode Neuerstellung	09.03.2017 01.07.2016	GF MJ			
Index	Revision code	Date	Name			

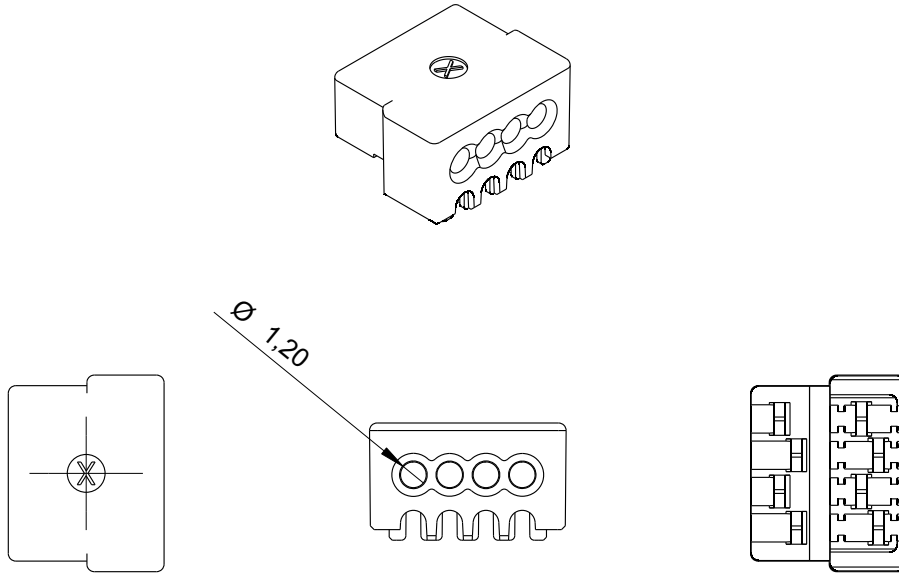


Dimensions: mm

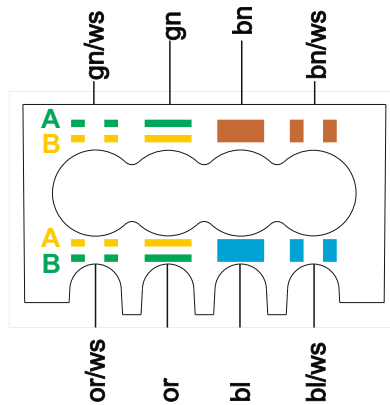
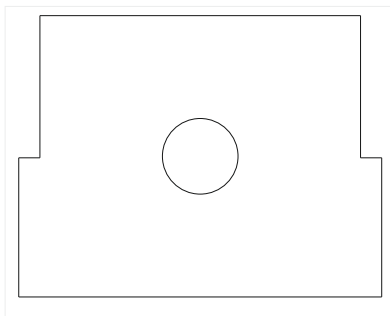
Original: DIN A4

Sheet 3 von / of 4

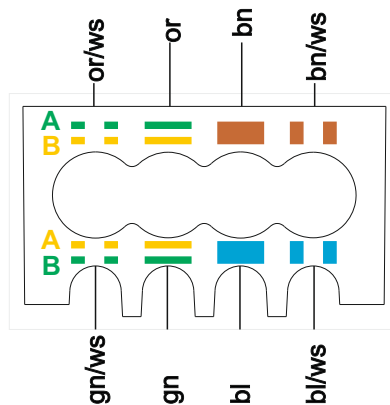
## Drawing



## Configuration



Belegung nach  
TIA/EIA 568 A /  
Configuration to  
TIA/EIA 568 A



Belegung nach  
TIA/EIA 568 B /  
Configuration to  
TIA/EIA 568 B

b a	Bestellcode Neuerstellung	09.03.2017 01.07.2016	GF MJ	drawn	01.07.2016	MJ
				appr.	04.07.2016	GF
Titel / titel:				fixLink® Kat. 6 <sub>A</sub> ISO/IEC WA		
				AWG 27 - AWG 26		
Drawing number:				ZN-CU161035		
Index	Revision code	Date	Name			



Dimensions: mm

Original: DIN A4

Sheet 4 von / of 4