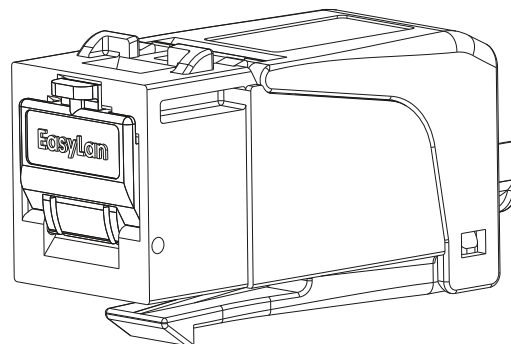


Technical datasheet

fixLink[®] UTP Cat. 6A EIA/TIA

AWG 24 - AWG 22

Item No. : CKFVK000



d c b a	Änderung	13.07.2022	LE	drawn 31.01.2017 LP	 EasyLan[®] ...for a better connectivity		
	Änderung	08.01.2021	LP			appr. 01.02.2017 GF	
	Änderung	25.11.2020	LP			Titel: fixLink[®] UTP Cat. 6A EIA/TIA AWG 24 - AWG 22	
	Neuerstellung	31.01.2017	LP			Drawing number: ZN-CU171012	
Index	Revision code	Date	Name	Dimensions: mm Original: DIN A4 Sheet 1 of 4			

Technical Data

Connector standard	IEC 60603-7-51
Mechanische Eigenschaften	
Life (mating cycles)	≤ 2500
Insertion force	≤ 30N
Conductor diameter	solid 0,51-0,65 mm / AWG 24/1 - AWG 22/1
Insulation diameter	5 - 9 mm
Reusable (Module)	≤ 5 cycles with the same diameter
EC Directive 2002/95/EC (RoHS)	RoHS-compliant
Materials	
Housing	PC
Colors	black, white, red, green, blue, gray, violet, orange, yellow
PCB	FR-4
PCB finish	chem. NiAu
Contacts	Spring steel
Contact finish	0,76 µm / 30µin Au
Dust protection Cover	PC transparent
IDC	CuNi2Si
IDC finish	min. 3-6 µm (120-240µin) Sn
Environmental Requirements	
Particulate ingress	IP2X
Water ingress	IPX0
Ambient temperature	-40°C bis / to +70°C
Packaging material	bio-degradable
Electrical Characteristics	
Contact resistance	≤ 20 mΩ
Insulation resistance	≥ 500 MΩ
Voltage proof - contact-contact	≥ 1000 V (DC)
Voltage proof - contact-shield	≥ 1500 V (DC)
Current carrying capacity at 50°C	1,25 A
PoE+ according to IEEE 802.3at	adequate
Transfer Impedance at 1 MHz	≤ 100 mΩ
Transfer Impedance at 10 MHz	≤ 200 mΩ
Transfer Impedance at 80 MHz	≤ 1600 mΩ

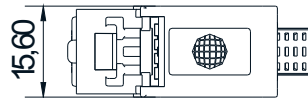
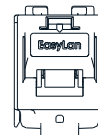
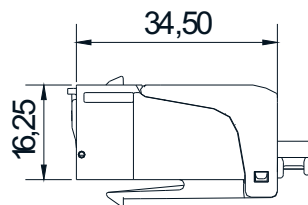
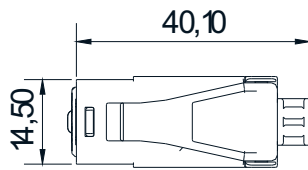
All rights reserved ZVK GmbH D-94244 Teisnach Technologicampus 2 Germany Phone: +49 9923 804379-0 Fax: +49 9923 804379-50 www.zvk-gmbh.de alle Angaben ohne Gewähr

d Änderung 13.07.2022 LE c Änderung 08.01.2021 LP b Änderung 25.11.2020 LP a Neuerstellung 31.01.2017 LP	drawn	31.01.2017	LP	 EasyLan [®] ...for a better connectivity	
	appr.	01.02.2017	GF		
	Titel: fixLink[®] UTP Cat. 6A EIA/TIA AWG 24 - AWG 22				Dimensions: mm
	Drawing number: ZN-CU171012				Original: DIN A4
Index	Revision code	Date	Name	Sheet 2 of 4	

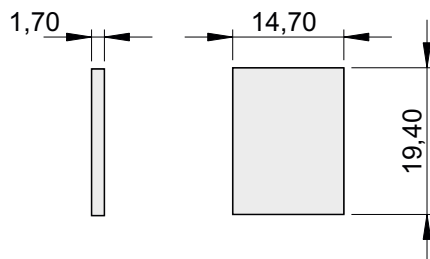
Technical Data

Transmission Performance	
10 Gigabit Ethernet acc. to IEEE 802.3an	adequate
Categorie 6A	EIA/TIA 568B.2-10

Drawing



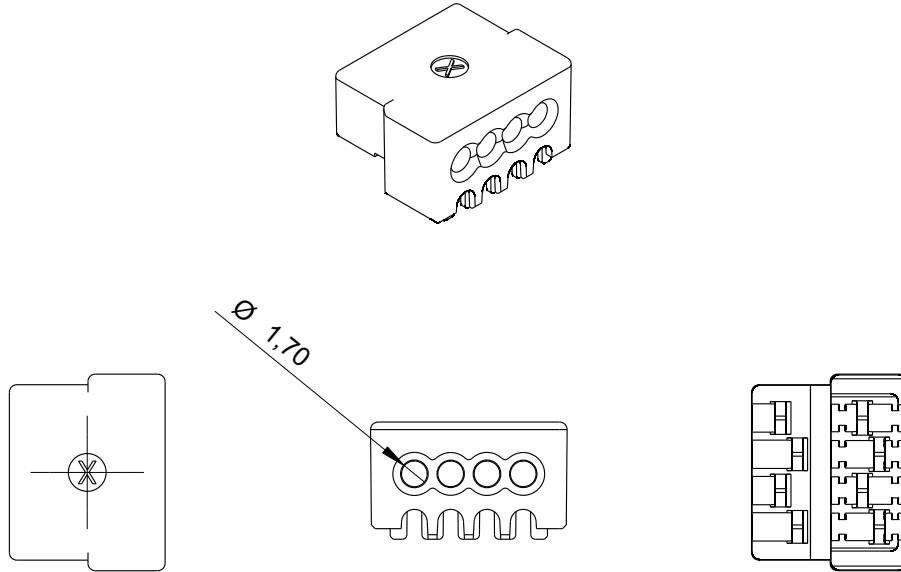
Gap size



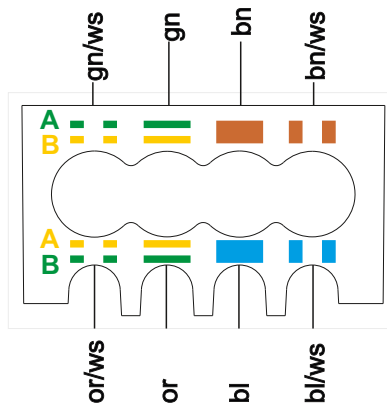
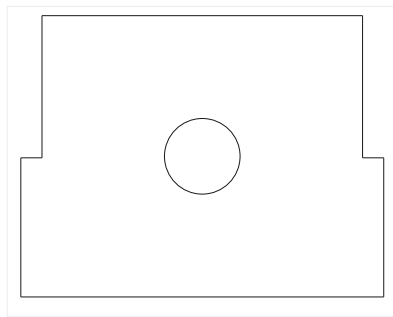
All rights reserved ZVK GmbH D-94244 Teisnach Technologiecampus 2 Germany Phone: +49 9923 804379-0 Fax: +49 9923 804379-50 www.zvk-gmbh.de alle Angaben ohne Gewähr

d Änderung 13.07.2022 LE c Änderung 08.01.2021 LP b Änderung 25.11.2020 LP a Neuerstellung 31.01.2017 LP	Index	Revision code	Date	Name	drawn	31.01.2017	LP
					appr.	01.02.2017	GF
					Titel: fixLink® UTP Cat. 6A EIA/TIA AWG 24 - AWG 22		
					Drawing number: ZN-CU171012		
Dimensions: mm							
Original: DIN A4							
Sheet 3 of 4							

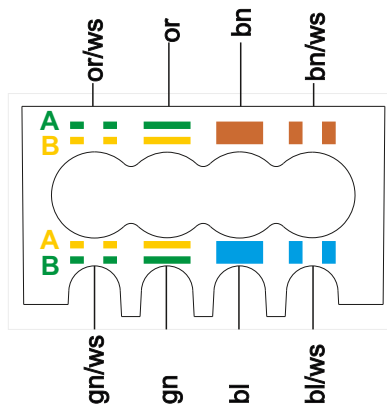
Drawing



Configuration



Configuration to TIA/EIA 568 A



Configuration to TIA/EIA 568 B

d Änderung c Änderung b Änderung a Neuerstellung	13.07.2022	LE	drawn 31.01.2017 LP appr. 01.02.2017 GF	 EasyLan [®] ...for a better connectivity	
	08.01.2021	LP			
	25.11.2020	LP			
	31.01.2017	LP			
Index	Revision code	Date	Name	Titel: fixLink[®] UTP Cat. 6A EIA/TIA AWG 24 - AWG 22 Drawing number: ZN-CU171012	Dimensions: mm Original: DIN A4 Sheet 4 of 4