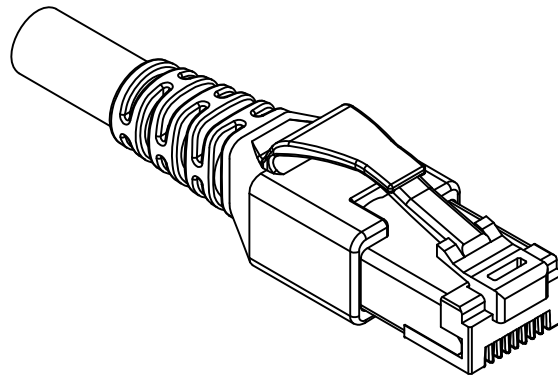


Technical Datasheet

EasyLan Patch Cord FlexBoot Cat.6_A ISO/IEC

Order No. : see on page 3




All rights reserved ZVK GmbH D-94244 Teisnach Technologiecampus 2 Germany Phone: +49 9923 804379-0 Fax: +49 9923 804379-50 www.zvk-gmbh.de

				drawn	24.05.2017	LP	 EasyLan [®] ...for a better connectivity
				appr.	24.05.2017	MJ	
				Titel: EasyLan Patch Cord FlexBoot Cat.6 _A ISO/IEC			
				Drawing Number: ZN-CU171074			
f	Änderung	13.06.2022	MW				Dimensions: mm
e	Änderung	26.10.2021	MW				Original: DIN A4 Sheet 1 of 3
d	Änderung	22.08.2019	LP				
c	Erweiterung	11.06.2019	LP				
b	Erweiterung	26.09.2017	LP				
a	Neuerstellung	24.05.2017	LP				
Index	Revision Code	Date	Name				

Technical Data

General Data	
Connection	1:1
Colors	white, black, gray, red, yellow, green, blue, turquoise, violet, orange
Identification possibility	Colorclips (Order No.: CPZHS7BOX)
Cable Characteristics	
Cable type	S/FTP
Number twisting elements	4P+1
Twisting elements	Pair
Configuration	FRNC / LSZH
Braid	AWG26/7
Category	Cat. 6 _A ISO/IEC
Shielding	shielded
Connector Characteristics	
Housing material	Polycarbonate
Pin plating	Au (Gold)
Environmental Conditions	
Temperature range during operation	-25°C to + 60°C
Temperature range during installation	0°C to + 50°C
Approvals	
RoHS	conform
Standards	
General requests	ISO/IEC 11801 Ed.2.2: 2011-06 DIN EN 50173-1: 2011-09 TIA/EIA 568-C.2 DIN EN IEC 60332-3-24
Plug	DIN EN 60603-7
Transmission Characteristics	
Category (ISO)	6 _A
Category (TIA)	6A
Remote powering	yes
PoE	IEEE 802.3af
PoE +	IEEE 802.3at
PoE ++	IEEE 802.3bt
UPoE	yes
HDBaseT	yes
Bit rate up to 10 GBit	IEEE 802.3an

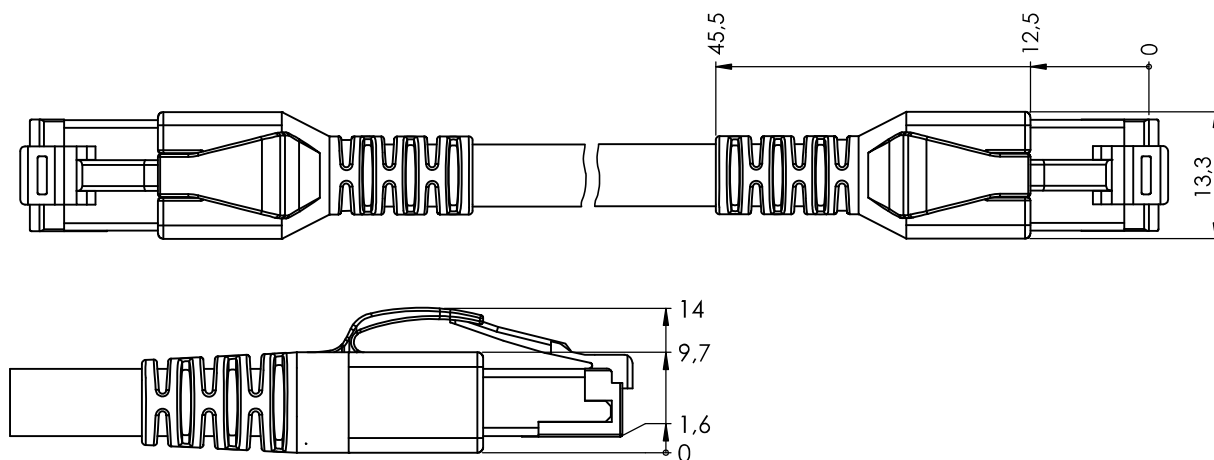
All rights reserved ZVK GmbH D-94244 Teisnach Technologiecampus 2 Germany Phone: +49 9923 804379-0 Fax: +49 9923 804379-50 www.zvk-gmbh.de

				drawn	24.05.2017	LP	
				appr.	24.05.2017	MJ	
				Titel: EasyLan Patch Cord FlexBoot Cat.6 _A ISO/IEC			
				Drawing Number: ZN-CU171074			
f	Änderung	13.06.2022	MW				Dimensions: mm Original: DIN A4 Sheet 2 of 3
e	Änderung	26.10.2021	MW				
d	Änderung	22.08.2019	LP				
c	Erweiterung	11.06.2019	LP				
b	Erweiterung	26.09.2017	LP				
a	Neuerstellung	24.05.2017	LP				
Index	Revision Code	Date	Name				

Technical Data

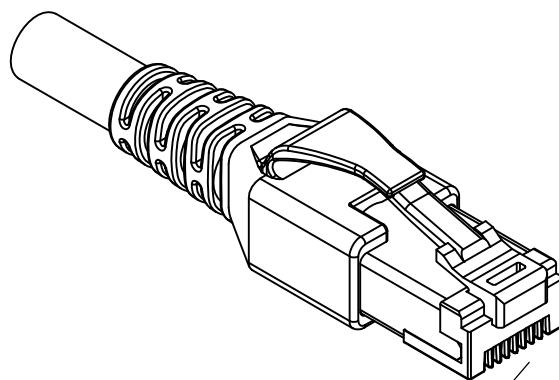
Electrical Characteristics	
Loop resistance	290 Ω/km
Insulation resistance	≥5000 MΩ*km
Characteristic impedance	100 ± 3Ω
Propagation delay	10ns / 100m
Packaging Unit	0,1 m - ≤5,0 m = 5 pcs >5,0 m = 1 pc

Drawing



Color	Order No.
white	CP1KWBWBW0000*
black	CP1KSBSBS0000*
gray	CP1KABABA0000*
red	CP1KRBRBR0000*
yellow	CP1KYBYBY0000*
green	CP1KGBGBG0000*
blue	CP1KBBBBB0000*
turquoise	CP1KTBTBT0000*
violet	CP1KVBVBV0000*
orange	CP1KOBBOB0000*

*Length in dm
e.g. 0010 = 1 m



Dimensions RJ45
according to IEC 60603-7

	drawn	24.05.2017	LP
	appr.	24.05.2017	MJ
f e d c b a	Änderung	13.06.2022	MW
	Änderung	26.10.2021	MW
	Änderung	22.08.2019	LP
	Erweiterung	11.06.2019	LP
	Erweiterung	26.09.2017	LP
	Neuerstellung	24.05.2017	LP
Index	Revision Code	Date	Name
			ZN-CU171074

Titel:	
EasyLan Patch Cord FlexBoot Cat.6 _A ISO/IEC	
Drawing Number:	
ZN-CU171074	



Dimensions: mm

Original: DIN A4

Sheet 3 of 3