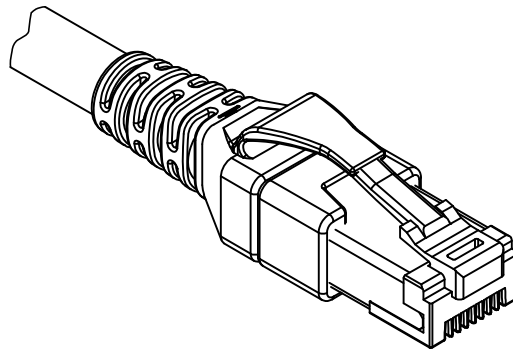



# Technical Datasheet

## *EasyLan Patch Cord DualBoot Cat.6 ISO/IEC*

**Order No. : see on page 3**




				drawn	14.09.2017	LP	 <b>EasyLan</b> <sup>®</sup> ...for a better connectivity
				appr.	14.09.2017	MJ	
				Titel: EasyLan Patch Cord DualBoot Cat.6 ISO/IEC			
				Drawing Number: <b>ZN-CU171102</b>			
f	Änderung	17.10.2022	MW				Dimensions: mm
e	Änderung	12.11.2021	MW				Original: DIN A4
d	Änderung	17.02.2020	LP				
c	Änderung	10.10.2019	LP				Sheet 1 of 3
b	Änderung	22.08.2019	LP				
a	Neuerstellung	14.09.2017	LP				
<b>Index</b>	<b>Revision Code</b>	<b>Date</b>	<b>Name</b>				

# Technical Data

<b>General Data</b>	
Connection	1:1
Colors	white, black, gray, red, yellow, green, blue, turquoise, violet, orange
Identification possibility	Colorclips (Order No.: CPZHS7BOX)
<b>Cable Characteristics</b>	
Cable type	S/FTP
Number twisting elements	4P+1
Twisting elements	Pair
Configuration	LSHF (LSOH) acc. EN50290-2-27
Braid	AWG26/7
Category	Cat. 6 ISO/IEC
Shielding	shielded
<b>Connector Characteristics</b>	
Housing material	Polycarbonate
Pin plating	Au (Gold)
<b>Environmental Conditions</b>	
Temperature range during operation	-25°C to + 60°C
Temperature range during installation	0°C to + 50°C
<b>Approvals</b>	
RoHS	conform
<b>Standards</b>	
General requests	ISO/IEC 11801 Ed.2.2: 2011-06 DIN EN 50173-1: 2011-09 TIA/EIA 568-C.2 DIN EN IEC 60332-3-24
Plug	DIN EN 60603-7
<b>Transmission Characteristics</b>	
Category (ISO)	6
Category (TIA)	6
Remote powering	yes
PoE	IEEE 802.3af
PoE +	IEEE 802.3at
PoE ++	IEEE 802.3bt
UPoE	yes
HDBaseT	yes
Bit rate up to 10 GBit	IEEE 802.3an

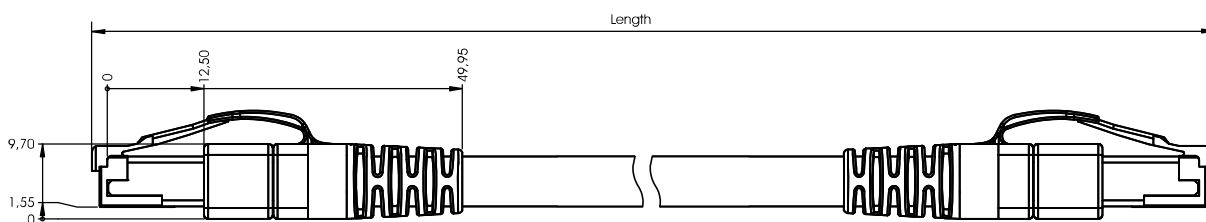
All rights reserved ZVK GmbH D-94244 Teisnach Technologiecampus 2 Germany Phone: +49 9923 804379-0 Fax: +49 9923 804379-50 www.zvk-gmbh.de

				drawn	14.09.2017	LP	
				appr.	14.09.2017	MJ	
				Titel: EasyLan Patch Cord DualBoot Cat.6 ISO/IEC			
				Drawing Number: <b>ZN-CU171102</b>			
f	Änderung	17.10.2022	MW				
e	Änderung	12.11.2021	MW				
d	Änderung	17.02.2020	LP				
c	Änderung	10.10.2019	LP				
b	Änderung	22.08.2019	LP				
a	Neuerstellung	14.09.2017	LP				
Index	Revision Code	Date	Name				
Dimensions: mm Original: DIN A4 Sheet 2 of 3							

# Technical Data

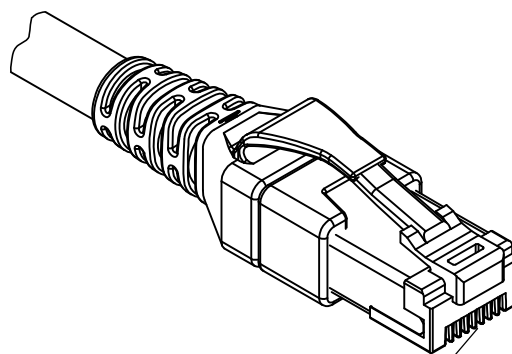
<b>Electrical Characteristics</b>	
Loop resistance	290 Ω/km
Insulation resistance	≥5000 MΩ*km
Characteristic impedance	100 ± 3Ω
Propagation delay	10ns / 100m
<b>Packaging Unit</b>	0,1 m - ≤5,0 m = 5 pcs >5,0 m = 1 pc

## Drawing



Color	Order No.
white	CP1IWCWCW0000*
black	CP1ISCSCS0000*
gray	CP1IACACA0000*
red	CP1IRCRCR0000*
yellow	CP1IYCYCY0000*
green	CP1IGCGCG0000*
blue	CP1IBCBCB0000*
turquoise	CP1ITCTCT0000*
violet	CP1IVCVCV0000*
orange	CP1IOCOCO0000*

\*Length in dm  
e.g. 0010 = 1 m



Dimensions RJ45  
according to IEC 60603-7

				drawn	14.09.2017	LP	
				appr.	14.09.2017	MJ	
				Titel: EasyLan Patch Cord DualBoot Cat.6 ISO/IEC			
				Drawing Number:			Dimensions: mm
				<b>ZN-CU171102</b>			Original: DIN A4
							Sheet 3 of 3
Index	Revision Code	Date	Name				