

Technical datasheet

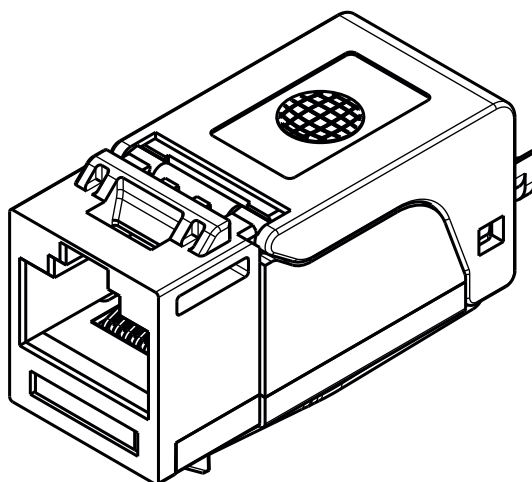
preLink[®] UTP Cat. 6 EIA/TIA

AWG 24 - AWG 22 / AWG 27 - AWG 26

Item No. :

AWG24-22 - CKVPUS010

AWG27-26 - CKVPUS020



				drawn	28.07.2017	LP	 EasyLan [®] ...for a better connectivity
				appr.	28.07.2017	GF	
				Titel: preLink [®] UTP Cat. 6 EIA/TIA AWG 24 - AWG 22 / AWG 27 - AWG 26			Dimensions: mm
				Drawing number: ZN-CU171103			Original: DIN A4
							Sheet 1 of 3
d	Änderung	13.07.2022	LE				
c	Änderung	12.03.2020	LP				
b	Änderung	19.08.2019	LP				
a	Neuerstellung	28.07.2017	LP				
Index	Revision code	Date	Name				

Technical Data

Connector standard	IEC 60603-7-51
Mechanische Eigenschaften	
Life (mating cycles)	≥ 750
Insertion force	≤ 30N
Conductor diameter	AWG24-22 / AWG27-26
Insulation diameter	5 - 9 mm
Reusable (Module)	≤ 5 Cycles with the same diameter
EC Directive 2002/95/EC (RoHS)	RoHS-compliant
UL listed	E485104
Materials	
Housing	PC black (RAL 9005)
PCB	FR-4
PCB finish	HAL lead-free
Contacts	Spring steel
Contact finish	0,76 µm / 30µin Au
Contact support plate	PC yellow (RAL 1021)
Dust protection Cover	PC transparent
IDC	CuNi2Si
IDC finish	min. 3-6 µm (120-240µin) Sn
Environmental Requirements	
Particulate ingress	IP2X
Water ingress	IPX0
Ambient temperature	-40°C bis / to +70°C
Packaging material	bio-degradable
Electrical Characteristics	
Contact resistance	≤ 20 mΩ
Insulation resistance	≥ 500 MΩ
Voltage proof - contact-contact	≥ 1000 V (DC)
Voltage proof - contact-shield	≥ 1500 V (DC)
Current carrying capacity at 50°C	1,25 A
PoE+ according to IEEE 802.3at	adequate
Transfer Impedance at 1 MHz	≤ 100 mΩ
Transfer Impedance at 10 MHz	≤ 200 mΩ
Transfer Impedance at 80 MHz	≤ 1600 mΩ

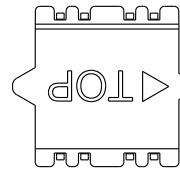
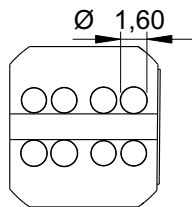
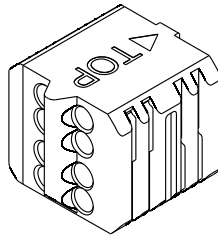
II rights reserved ZVK GmbH D-94244 Teisnach Technologiecampus 2 Germany Phone: +49 9923 804379-0 Fax: +49 9923 804379-50 www.zvk-gmbh.de alle Angaben ohne Gewähr

d Änderung 13.07.2022 LE c Änderung 12.03.2020 LP b Änderung 19.08.2019 LP a Neuerstellung 28.07.2017 LP	drawn	28.07.2017	LP	
	appr.	28.07.2017	GF	
	Titel: preLink® UTP Cat. 6 EIA/TIA AWG 24 - AWG 22 / AWG 27 - AWG 26			
	Drawing number: ZN-CU171103			
Index	Revision code	Date	Name	Dimensions: mm Original: DIN A4 Sheet 2 of 3

Technical Data

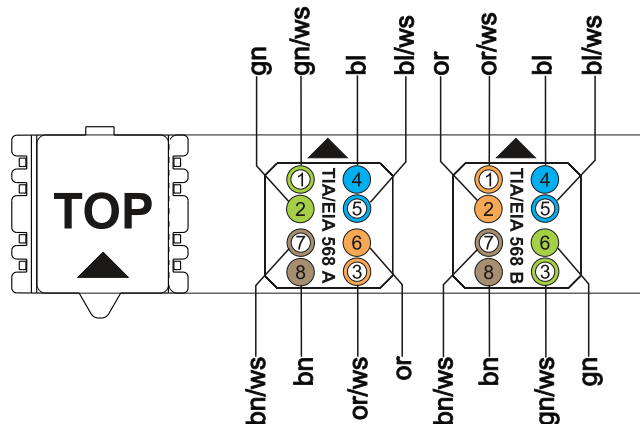
Transmission Performance	
10 Gigabit Ethernet acc. to IEEE 802.3an	adequate
Categorie 6	EIA/TIA 568B.2-10

Drawing



Scale 2:1

Configuration



d Änderung 13.07.2022 LE c Änderung 12.03.2020 LP b Änderung 19.08.2019 LP a Neuerstellung 28.07.2017 LP	Index Revision code Date Name	drawn 28.07.2017 LP		
		appr. 28.07.2017 GF		
		Titel: preLink® UTP Cat. 6 EIA/TIA AWG 24 - AWG 22 / AWG 27 - AWG 26		
		Drawing number: ZN-CU171103		
		Dimensions: mm		
		Original: DIN A4		
		Sheet 3 of 3		