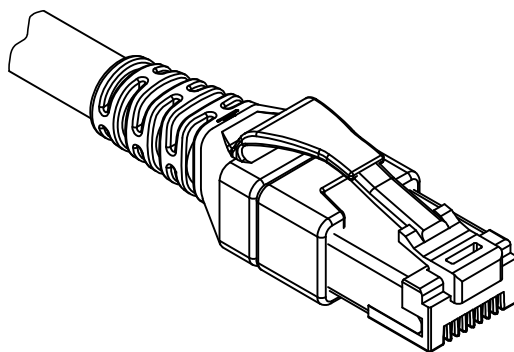



Technical Datasheet

EasyLan Patch Cord DualBoot Cat.6_A ISO/IEC

Order No. : see on page 3




All rights reserved ZVK GmbH D-94244 Teisnach Technologiecampus 2 Germany Phone: +49 9923 804379-0 Fax: +49 9923 804379-50 www.zvk-gmbh.de

h g f e d c b a	Änderung Änderung Änderung Änderung Änderung Änderung Änderung Neuerstellung	13.01.2023 17.10.2022 26.10.2021 08.10.2021 17.02.2020 22.08.2019 11.06.2019 14.09.2017	MW MW MW MW LP LP LP LP	drawn	14.09.2017	LP				
				appr.	14.09.2017	MJ				
				Titel:				EasyLan Patch Cord DualBoot Cat.6 _A ISO/IEC		
				Drawing Number:				ZN-CU171139		
				Index	Revision Code	Date		Name		
Dimensions: mm										
Original: DIN A4										
Sheet 1 of 3										

Technical Data

General Data	
Connection	1:1
Colors	white, black, gray, red, yellow, green, blue, turquoise, violet, orange
Identification possibility	Colorclips (Order No.: CPZHS7BOX)
Cable Characteristics	
Cable type	S/FTP
Number twisting elements	4P+1
Twisting elements	Pair
Configuration	LSHF (LSOH) acc. EN50290-2-27
Braid	AWG26/7
Category	Cat. 6 _A ISO/IEC
Shielding	shielded
Connector Characteristics	
Housing material	Polycarbonate
Pin plating	Au (Gold)
Environmental Conditions	
Temperature range during operation	-25°C to + 60°C
Temperature range during installation	0°C to + 50°C
Approvals	
RoHS	conform
Standards	
General requests	ISO/IEC 11801 Ed.2.2: 2011-06 DIN EN 50173-1: 2011-09 TIA/EIA 568-C.2 DIN EN IEC 60332-3-24
Plug	DIN EN 60603-7
Transmission Characteristics	
Category (ISO)	6 _A
Category (TIA)	6A
Remote powering	yes
PoE	IEEE 802.3af
PoE +	IEEE 802.3at
PoE ++	IEEE 802.3bt
UPoE	yes
HDBaseT	yes
Bit rate up to 10 GBit	IEEE 802.3an

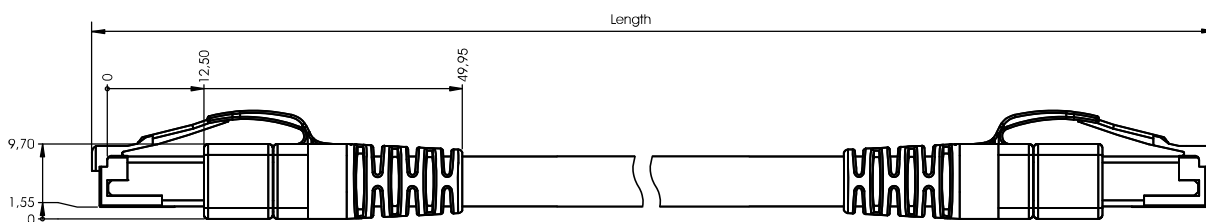
All rights reserved ZVK GmbH D-94244 Teisnach Technologiecampus 2 Germany Phone: +49 9923 804379-0 Fax: +49 9923 804379-50 www.zvk-gmbh.de

				drawn	14.09.2017	LP	
				appr.	14.09.2017	MJ	
h	Änderung	13.01.2023	MW	Titel: EasyLan Patch Cord DualBoot Cat.6 _A ISO/IEC			
g	Änderung	17.10.2022	MW				
f	Änderung	26.10.2021	MW				
e	Änderung	08.10.2021	MW	Drawing Number: ZN-CU171139			
d	Änderung	17.02.2020	LP				
c	Änderung	22.08.2019	LP				
b	Änderung	11.06.2019	LP	Dimensions: mm			
a	Neuerstellung	14.09.2017	LP				Original: DIN A4
Index	Revision Code	Date	Name	Sheet 2 of 3			

Technical Data

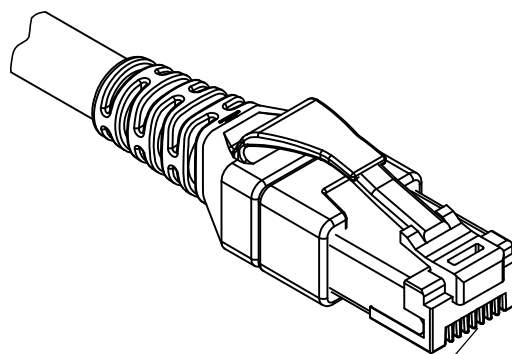
Electrical Characteristics	
Loop resistance	290 Ω/km
Insulation resistance	≥5000 MΩ*km
Characteristic impedance	100 ± 3Ω
Propagation delay	10ns / 100m
Packaging Unit	0,1 m - ≤5,0 m = 5 pcs >5,0 m = 1 pc

Drawing



Color	Order No.
white	CP1OWAWAWxxxx*
black	CP1OSASASxxxx*
gray	CP1OAAAAAxxxx*
red	CP1ORARARxxxx*
yellow	CP1OYAYAYxxxx*
green	CP1OGAGAGxxxx*
blue	CP1OBABABxxxx*
turquoise	CP1OTATATxxxx*
violet	CP1OVAVAVxxxx*
orange	CP1OOAOAOxxxx*

*Length in dm (xxxx)
e.g. 0010 = 1 m



Dimensions RJ45
according to IEC 60603-7

				drawn	14.09.2017	LP
				appr.	14.09.2017	MJ
h	Änderung	13.01.2023	MW	Titel: EasyLan Patch Cord DualBoot Cat.6 _A ISO/IEC		
g	Änderung	17.10.2022	MW			
f	Änderung	26.10.2021	MW			
e	Änderung	08.10.2021	MW			
d	Änderung	17.02.2020	LP			
c	Änderung	22.08.2019	LP			
b	Änderung	11.06.2019	LP	Drawing Number: ZN-CU171139		
a	Neuerstellung	14.09.2017	LP			
Index	Revision Code	Date	Name			



Dimensions: mm

Original: DIN A4

Sheet 1 of 3