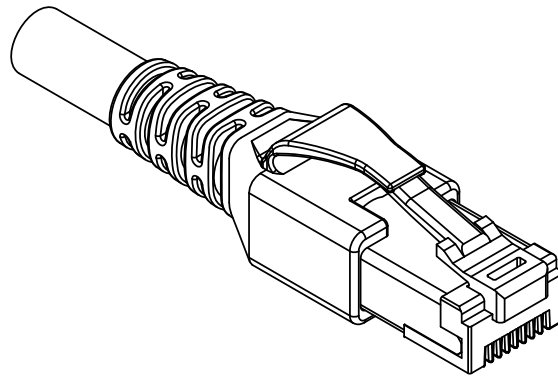



Technical datasheet

Patch Cord SolidCon Cat. 6A ISO/IEC




All rights reserved ZVK GmbH D-94244 Teisnach Technologiecampus 2 Germany Phone: +49 9923 804379-0 Fax: +49 9923 804379-50 www.zvk-gmbh.de

				drawn	08.11.2017	LP	 EasyLan [®] ...for a better connectivity
				appr.	08.11.2017	MJ	
			Titel: Patch Cord SolidConCat.6A ISO/IEC			Dimensions: mm	
			Drawing number: ZN-CU171173			Original: DIN A4	
b a	Änderung Neuerstellung	03.03.2021 08.11.2017	LP LP				Sheet 1 of 3
Index	Revision code	Date	Name				

Technical Data

General data	
Connection	1:1
Colors	blue
Identification possibility	Colorclips (CPZHS7BOX)
Cable characteristics	
Cable type	S/FTP
Number twisting elements	4P
Twisting elements	Pair
Configuration	LSHF(LSOH) acc. EN50290-2-27
Braid	AWG23/1
Category	Cat. 6A
Shielding	shielded
Test Voltage	1000V
Connector characteristics	
Housing material	Polycarbonate
Pin plating	Au (Gold)
Environmental conditions	
Temperature range during operation	-25°C bis + 60°C / -25°C to + 60°C
Temperature range during installation	0°C bis + 50°C / 0°C to + 50°C
Approvals	
RoHS	conform
Standards	
General requests	ISO/IEC 11801 Ed.2.2: 2011-06 / DIN EN 50173-1: 2011-09 / TIA/EIA 568-C.2
Plug	DIN EN 60603-7
Transmission characteristics	
Category (ISO)	6A
Class (ISO/IEC)	EA
Category (TIA)	6A
Remote powering	ja / yes
PoE	IEEE 802.3af
PoE +	IEEE 802.3at
PoE ++	IEEE 802.3bt
UPoE	ja / yes
HDBaseT	ja / yes
Bit rate up to 10 GBit	IEEE 802.3an

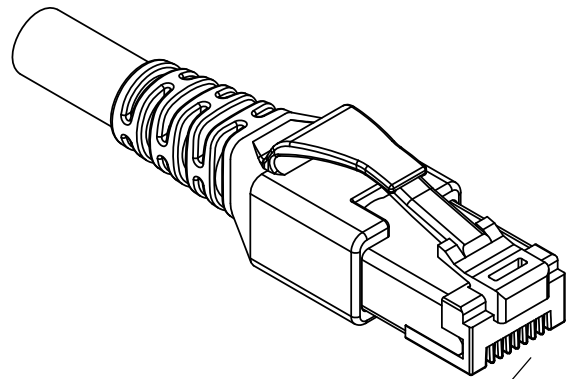
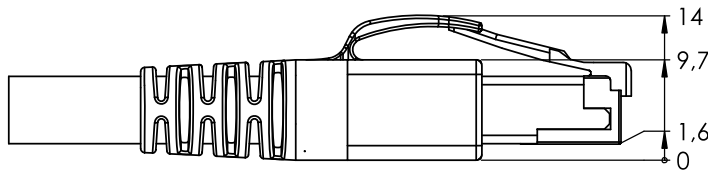
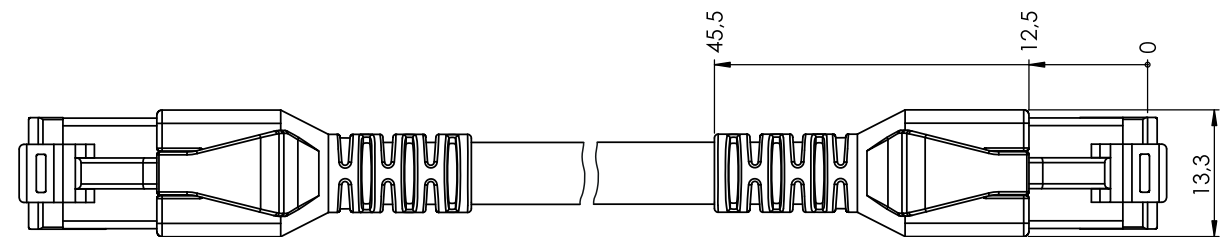
All rights reserved ZVK GmbH D-94244 Teisnach Technologiestampus 2 Germany Phone: +49 9923 804379-0 Fax: +49 9923 804379-50 www.zvk-gmbh.de

b a	Änderung Neuerstellung	03.03.2021 08.11.2017	LP LP	drawn	08.11.2017	LP				
				appr.	08.11.2017	MJ				
				Titel:				Patch Cord SolidConCat.6A ISO/IEC		
				Drawing number:				Dimensions: mm		
Index	Revision code	Date	Name	ZN-CU171173			Original: DIN A4			
							Sheet 2 of 3			

Technical Data

Electrical Characteristics	
Loop resistance	300 Ω/km
Insulation resistance	> 2000 MΩ*km
Characteristic impedance	100 ± 5Ω
Propagation delay	> 10 Mhz: 4,5ns/m

Drawing



dimension RJ45
according to IEC 60603-7

All rights reserved ZVK GmbH D-94244 Teisnach Technologiecampus 2 Germany Phone: +49 9923 804379-0 Fax: +49 9923 804379-50 www.zvk-gmbh.de

				drawn	08.11.2017	LP
				appr.	08.11.2017	MJ
b a	Änderung Neuerstellung	03.03.2021 08.11.2017	LP LP	Titel:		
				Patch Cord SolidConCat.6A ISO/IEC		
Index	Revision code	Date	Name	Drawing number:		
				ZN-CU171173		
				 EasyLan [®] ...for a better connectivity		
				Dimensions: mm		
				Original: DIN A4		
				Sheet 3 of 3		