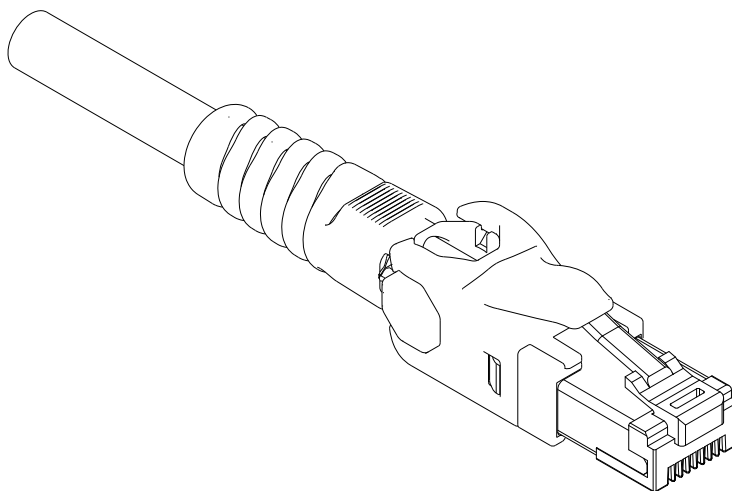



Technical Datasheet

EasyLan Patch Cord VarioBoot Cat.6 ISO/IEC

Order No. : see on page 3




All rights reserved ZVK GmbH D-94244 Teisnach Technologiecampus 2 Germany Phone: +49 9923 804379-0 Fax: +49 9923 804379-50 www.zvk-gmbh.de

				drawn	23.08.2018	LP	 EasyLan [®] ...for a better connectivity
				appr.	23.08.2018	MJ	
				Titel: EasyLan Patch Cord VarioBoot Cat.6 ISO/IEC			
				Drawing Number: ZN-CU181460			Dimensions: mm Original: DIN A4 Sheet 1 of 3
Index	Revision Code	Date	Name				
d	Anpassung	22.11.2021	MW				
c	Anpassung	22.08.2019	LP				
b	Anpassung	28.02.2019	LP				
a	Neuerstellung	23.08.2018	LP				

Technical Data

General Data	
Connection	1:1
Colors Cable	white, black, gray, red, yellow, green, blue, turquoise, violet, orange, PUR gray
Color Housing / Boot	black
Provided Accessories	Cover for 9 different arrangements
Cable Characteristics	
Cable type	S/FTP
Number twisting elements	4P+1 / 4P
Twisting elements	Pair
Configuration	LSHF (LSOH) / PUR
Braid	AWG26/7
Category	Cat. 6 ISO/IEC
Shielding	shielded
Connector Characteristics	
Housing material	Polycarbonate
Pin plating	Au (Gold)
Environmental Conditions	
Temperature range during operation	-25°C to + 60°C
Temperature range during installation	0°C to + 50°C
Approvals	
RoHS	conform
Standards	
General requests	ISO/IEC 11801 Ed.2.2: 2011-06 DIN EN 50173-1: 2011-09 TIA/EIA 568-C.2
Plug	DIN EN 60603-7
Transmission Characteristics	
Category (ISO)	6
Category (TIA)	6
Remote powering	yes
PoE	IEEE 802.3af
PoE +	IEEE 802.3at
PoE ++	IEEE 802.3bt
UPoE	yes
HDBaseT	yes
Bit rate up to 10 GBit	IEEE 802.3an

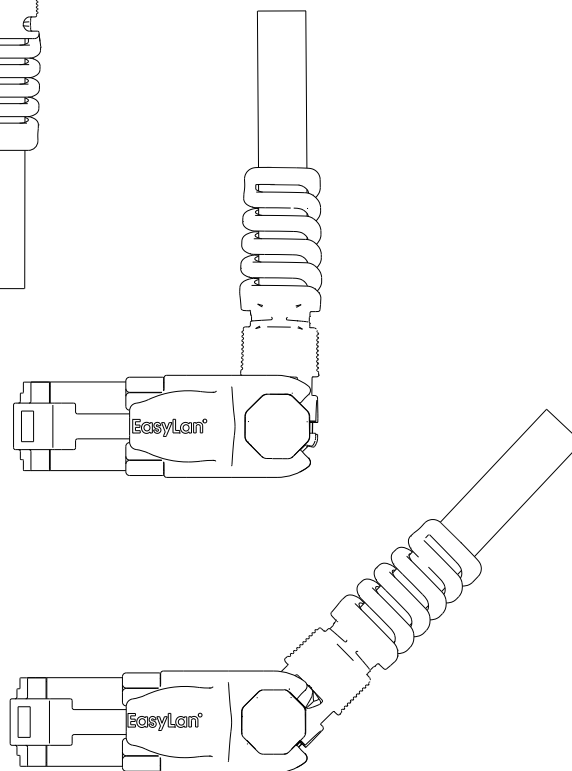
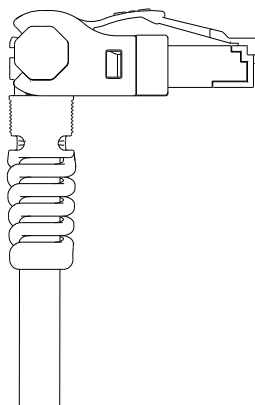
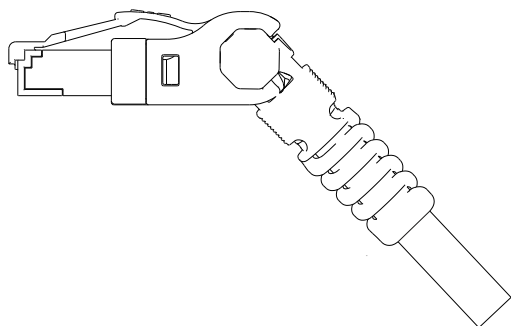
All rights reserved ZVK GmbH D-94244 Teisnach Technologiecampus 2 Germany Phone: +49 9923 804379-0 Fax: +49 9923 804379-50 www.zvk-gmbh.de

<small>d</small> <small>c</small> <small>b</small> <small>a</small>	Anpassung	22.11.2021	MW	drawn 23.08.2018 LP	 EasyLan [®] ...for a better connectivity	
	Anpassung	22.08.2019	LP			appr. 23.08.2018 MJ
	Anpassung	28.02.2019	LP			
	Neuerstellung	23.08.2018	LP			
Index	Revision Code	Date	Name	Drawing Number:	Dimensions: mm	
				ZN-CU181460	Original: DIN A4	
					Sheet 2 of 3	

Technical Data

Electrical Characteristics	
Loop resistance	290 Ω/km
Insulation resistance	≥5000 MΩ*km
Characteristic impedance	100 ± 3Ω
Propagation delay	10ns / 100m
Packaging Unit	0,1 m - ≤5,0 m = 5 pcs >5,0 m = 1 pc

Drawing



Color	Order No.
white	CP1OWTSTS0000*
black	CP1OSTSTS0000*
gray	CP1OATSTS0000*
red	CP1ORTSTS0000*
yellow	CP1OYTSTS0000*
green	CP1OGTSTS0000*
blue	CP1OBTSTS0000*
turquoise	CP1OTTSTS0000*
violet	CP1OVTSTS0000*
orange	CP1OOTSTS0000*
PUR gray	CP1PATSTS0000*

*Length in dm
e.g. 0010 = 1 m

d c b a	Anpassung Anpassung Anpassung Neuerstellung	22.11.2021 22.08.2019 28.02.2019 23.08.2018	MW LP LP LP	drawn	23.08.2018	LP
				appr.	23.08.2018	MJ
				Titel: EasyLan Patch Cord VarioBoot Cat.6 ISO/IEC		
				Drawing Number: ZN-CU181460		
Index	Revision Code	Date	Name			
				Dimensions: mm		
				Original: DIN A4		
				Sheet 3 of 3		