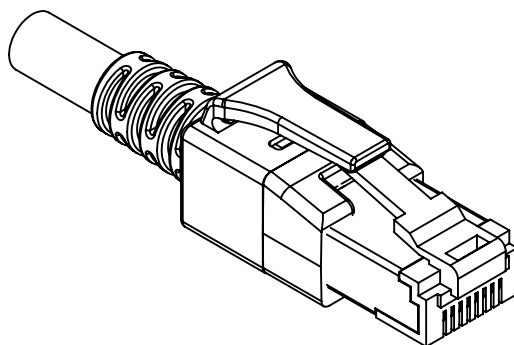


# Technical Datasheet

## *EasyLan Patch Cord DualBoot LED Cat.6 ISO/IEC*

**Order No. : see on page 3**



				drawn	25.09.2018	LP	 <b>EasyLan</b> <sup>®</sup> ...for a better connectivity
				appr.	25.09.2018	MJ	
				Titel: EasyLan Patch Cord DualBoot LED Cat.6 ISO/IEC			Dimensions: mm
				Drawing Number: <b>ZN-CU181490</b>			Original: DIN A4
Index	Revision Code	Date	Name				Sheet 1 of 3
d	Änderung	11.11.2021	MW				
c	Änderung	22.07.2020	LP				
b	Änderung	22.08.2019	LP				
a	Neuerstellung	25.09.2018	LP				

# Technical Data

<b>General Data</b>	
Connection	1:1
Colors	white, black, gray, red, yellow, green, blue, turquoise, violet, orange
Identification possibility	Colorclips (Order No.: CSZC11BOX)
<b>Cable Characteristics</b>	
Cable type	S/FTP
Number twisting elements	4P+1
Twisting elements	Pair
Configuration	LSHF (LSOH) acc. EN50290-2-27
Braid	AWG26/7
Category	Cat. 6 ISO/IEC
Shielding	shielded
<b>Connector Characteristics</b>	
Housing material	Polycarbonate
Pin plating	Au (Gold)
<b>Environmental Conditions</b>	
Temperature range during operation	-25°C to + 60°C
Temperature range during installation	0°C to + 50°C
<b>Approvals</b>	
RoHS	conform
<b>Standards</b>	
General requests	ISO/IEC 11801 Ed.2.2: 2011-06 DIN EN 50173-1: 2011-09 TIA/EIA 568-C.2 DIN EN IEC 60332-3-24
Plug	DIN EN 60603-7
<b>Transmission Characteristics</b>	
Category (ISO)	6
Category (TIA)	6
Remote powering	yes
PoE	IEEE 802.3af
PoE +	IEEE 802.3at
PoE ++	IEEE 802.3bt
UPoE	yes
HDBaseT	yes
Bit rate up to 10 GBit	IEEE 802.3an

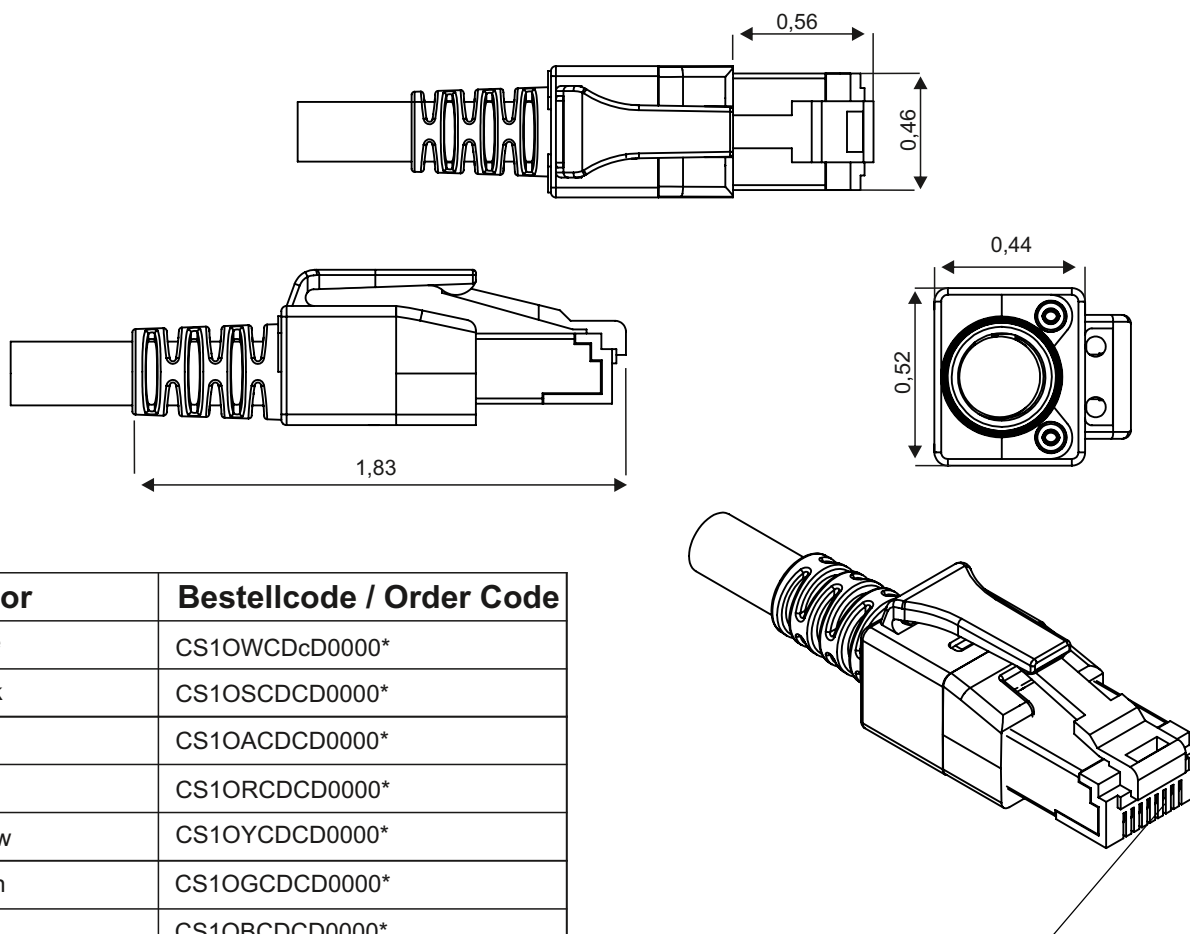
All rights reserved ZVK GmbH D-94244 Teisnach Technologiecampus 2 Germany Phone: +49 9923 804379-0 Fax: +49 9923 804379-50 www.zvk-gmbh.de

Index	Revision Code	Date	Name	drawn	25.09.2018	LP	
				appr.	25.09.2018	MJ	
				Titel: EasyLan Patch Cord DualBoot LED Cat.6 ISO/IEC			
				Drawing Number: <b>ZN-CU181490</b>			
Dimensions: mm							
Original: DIN A4							
Sheet 2 of 3							

# Technical Data

<b>Electrical Characteristics</b>	
Loop resistance	290 Ω/km
Insulation resistance	≥5000 MΩ*km
Characteristic impedance	100 ± 3Ω
Propagation delay	10ns / 100m
<b>Packaging Unit</b>	0,1 m - ≤5,0 m = 5 pcs >5,0 m = 1 pc

## Drawing



Color	Bestellcode / Order Code
white	CS1OWCDcD0000*
black	CS1OSCDcD0000*
gray	CS1OACDCD0000*
red	CS1ORCDcD0000*
yellow	CS1OYCDcD0000*
green	CS1OGCDcD0000*
blue	CS1OBCDCD0000*
turquoise	CS1OTCDcD0000*
violet	CS1OVCDcD0000*
orange	CS1OOCDCD0000*

\*Längenangabe in dm / Length in dm  
z.B. 0010 = 1 m / e.g. 0010 = 1 m

Dimensions RJ45  
according to IEC 60603-7

				drawn	25.09.2018	LP
				appr.	25.09.2018	MJ
d Änderung 11.11.2021 MW c Änderung 22.07.2020 LP b Änderung 22.08.2019 LP a Neuerstellung 25.09.2018 LP				Titel: EasyLan Patch Cord DualBoot LED Cat.6 ISO/IEC		
Index				Drawing Number:		
Revision Code				ZN-CU181490		
Date						
Name						



Dimensions: mm

Original: DIN A4

Sheet 3 of 3