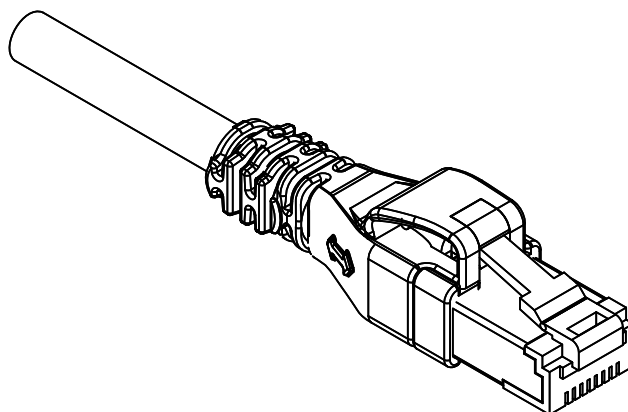



Technical Datasheet

EasyLan Patch Cord DualBoot PushPull Cat.6_A ISO/IEC

Order No. : see on page 3




All rights reserved ZVK GmbH D-94244 Teisnach Technologiecampus 2 Germany Phone: +49 9923 804379-0 Fax: +49 9923 804379-50 www.zvk-gmbh.de

				drawn	21.05.2019	LP		
				appr.	21.05.2019	MJ		
				Titel: EasyLan Patch Cord DualBoot PushPull Cat.6 _A ISO/IEC				Dimensions: mm
				Drawing Number: ZN-CU191073				Original: DIN A4
d	Änderung	15.11.2021	MW				Sheet 1 of 3	
c	Änderung	22.08.2019	LP					
b	POE++ ergänzt	06.06.2019	SP					
a	Neuerstellung	21.05.2019	LP					
Index	Revision Code	Date	Name					

Technical Data

General Data	
Connection	1:1
Colors	white, black, gray, red, yellow, green, blue, turquoise, violet, orange
Identification possibility	Colorclips (Order No.: CPZHS7BOX)
Cable Characteristics	
Cable type	S/FTP
Number twisting elements	4P+1
Twisting elements	Pair
Configuration	LSHF (LSOH) acc. EN50290-2-27
Braid	AWG26/7
Category	Cat. 6 _A ISO/IEC
Shielding	shielded
Connector Characteristics	
Housing material	Polycarbonate
Pin plating	Au (Gold)
Environmental Conditions	
Temperature range during operation	-25°C to + 60°C
Temperature range during installation	0°C to + 50°C
Approvals	
RoHS	conform
Standards	
General requests	ISO/IEC 11801 Ed.2.2: 2011-06 DIN EN 50173-1: 2011-09 TIA/EIA 568-C.2 DIN EN IEC 60332-3-24
Plug	DIN EN 60603-7
Transmission Characteristics	
Category (ISO)	6 _A
Category (TIA)	6A
Remote powering	yes
PoE	IEEE 802.3af
PoE +	IEEE 802.3at
PoE ++	IEEE 802.3bt
UPoE	yes
HDBaseT	yes
Bit rate up to 10 GBit	IEEE 802.3an

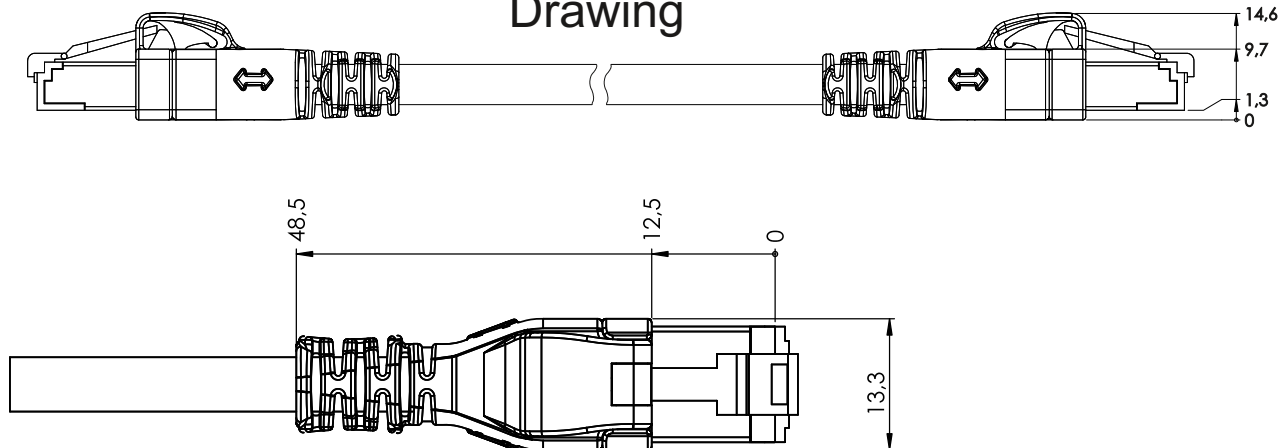
All rights reserved ZVK GmbH D-94244 Teisnach Technologiecampus 2 Germany Phone: +49 9923 804379-0 Fax: +49 9923 804379-50 www.zvk-gmbh.de

d Änderung c Änderung b POE++ ergänzt a Neuerstellung	15.11.2021 22.08.2019 06.06.2019 21.05.2019	MW LP SP LP	drawn	21.05.2019	LP	
			appr.	21.05.2019	MJ	
			Titel: EasyLan Patch Cord DualBoot PushPull Cat.6 _A ISO/IEC			
			Drawing Number: ZN-CU191073			
Index	Revision Code	Date	Name			
				Dimensions: mm		
				Original: DIN A4		
				Sheet 2 of 3		

Technical Data

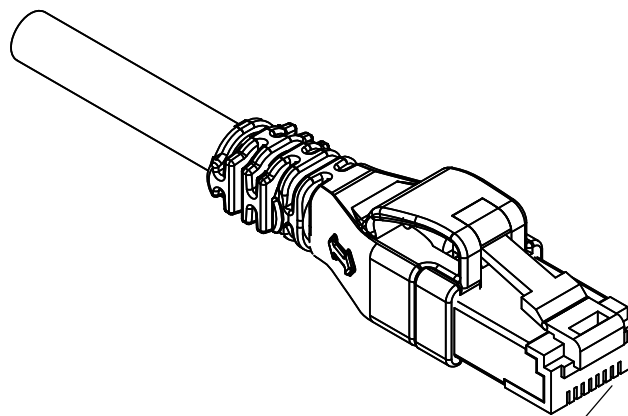
Electrical Characteristics	
Loop resistance	290 Ω/km
Insulation resistance	≥5000 MΩ*km
Characteristic impedance	100 ± 3Ω
Propagation delay	10ns / 100m
Packaging Unit	0,1 m - ≤5,0 m = 5 pcs >5,0 m = 1 pc

Drawing



Color	Order No.
white	CPP1PWAWAW0000*
black	CPP1OSASAS0000*
gray	CPP1OAAAAA0000*
red	CPP1ORARAR0000*
yellow	CPP1OYAYAY0000*
green	CPP1OGAGAG0000*
blue	CPP1OBABAB0000*
turquoise	CPP1OTATAT0000*
violet	CPP1OVAVAV0000*
orange	CPP1OOAOAO0000*

*Length in dm
e.g. 0010 = 1 m



dimension RJ45
according to IEC 60603-7

d c b a	Änderung	15.11.2021	MW
	Änderung	22.08.2019	LP
Index	Revision Code	Date	Name
drawn		21.05.2019	LP
appr.		21.05.2019	MJ
Titel:			
EasyLan Patch Cord DualBoot PushPull Cat.6A ISO/IEC			
Drawing Number:			
ZN-CU191073			



Dimensions: mm

Original: DIN A4

Sheet 3 of 3