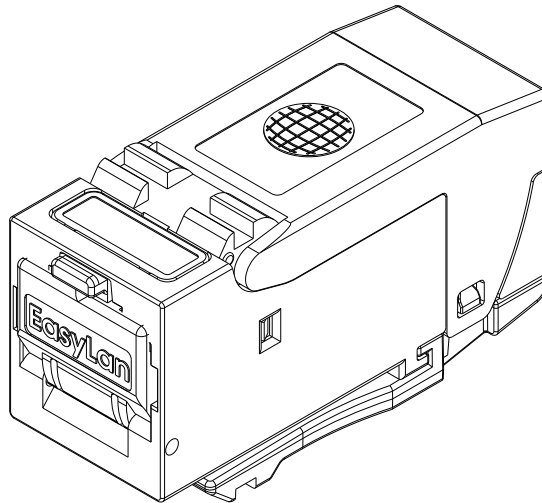



# Technical datasheet

## *fixLink<sup>®</sup> Pro Cat. 6<sub>A</sub> ISO/IEC* AWG 24 - AWG 22

**Item No. : CKFAK002 / CKFAK002EP**




				drawn	28.06.2022	LE	 <b>EasyLan<sup>®</sup></b> ...for a better connectivity
				appr.	28.06.2022	MJ	
				Titel: <b>fixLink<sup>®</sup> Pro Cat. 6<sub>A</sub> ISO/IEC</b> AWG 24 - AWG 22		Dimensions: mm	
				Drawing number: <b>ZN-CU220059</b>		Original: DIN A4	
Index	Revision code	Date	Name			Sheet 1 of 4	

# Technical Data

<b>Connector standard</b>	IEC 60603-7-51
<b>Mechanical characteristics</b>	
Life (mating cycles)	≥ 750
Insertion force	≤ 30N
Conductor diameter	massiv / solid 0,51-0,65 mm / AWG 24/1 - AWG 22/1
Insulation diameter	5 - 9 mm
Reusable (Module)	≤ 5 Cycles with the same diameter
EC Directive 2002/95/EC (RoHS)	RoHS-compliant
<b>Materials</b>	
Housing	Zinc diecast
Strain-relief spring	Stainless steel
Surface	nickel plated
Shield spring	Stainless steel
PCB	FR-4
PCB finish	Chem. Ni/Au
Contacts	Spring steel
Contact finish	30µm Au
Insulation housing	PC light green (RAL 6027)
Contact support plate	PC white (RAL9010)
Dust protection Cover	PC transparent
IDC	CuNi2Si
IDC finish	min. 3-6 µm (120-240µin) Sn
<b>Environmental Requirements</b>	
Particulate ingress	IP2X
Water ingress	IPX0
Ambient temperature	-40°C bis / to +70°C
Packaging material	bio-degradable
<b>Electrical Characteristics</b>	
Contact resistance	≤ 20 mΩ
Insulation resistance	≥ 500 MΩ
Voltage proof - contact-contact	≥ 1000 V (DC)
Voltage proof - contact-shield	≥ 1500 V (DC)
Current carrying capacity at 50°C	1,25 A
PoE according to IEEE 802.3at / IEEE802.3bt	Adequate
Transfer Impedance at 1 MHz	≤ 100 mΩ
Transfer Impedance at 10 MHz	≤ 200 mΩ
Transfer Impedance at 80 MHz	≤ 1600 mΩ

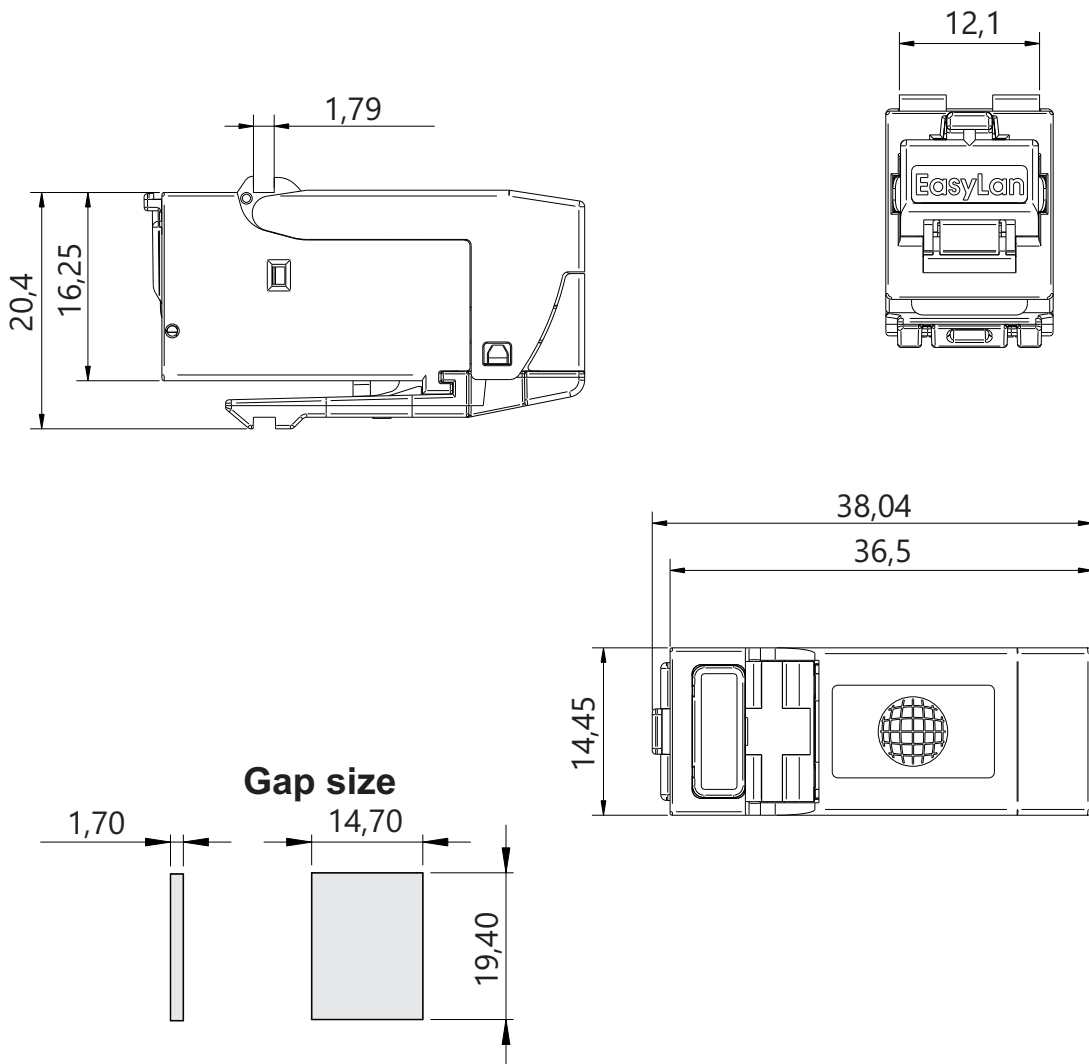
All rights reserved ZVK GmbH D-94244 Teisnach Technologiecampus 2 Germany Phone: +49 9923 804379-0 Fax: +49 9923 804379-50 www.zvk-gmbh.de alle Angaben ohne Gewähr

a	Neuerstellung	28.06.2022	LE	drawn	28.06.2022	LE
				appr.	28.06.2022	MJ
Index	Revision code	Date	Name	Titel: <b>fixLink<sup>®</sup> Pro Cat. 6<sub>A</sub> ISO/IEC</b> AWG 24 - AWG 22		
				Drawing number: <b>ZN-CU220059</b>		
						
				Dimensions: mm		
				Original: DIN A4		
				Sheet 2 of 4		

# Technical Data

<b>Transmission Performance</b>	
10 Gigabit Ethernet acc. to IEEE 802.3an	Adequate
Categorie 6 <sub>A</sub>	ISO/IEC 11801; DIN EN 50173-1
Class EA	conc. ISO/IEC 11801 Amendment 1/2 typical link length > 2 m, in combination with a CP-cable: CP-Link typ. > 10 m 10 GbE is supported
Packaging	24 or 1 piece per karton

## Drawing

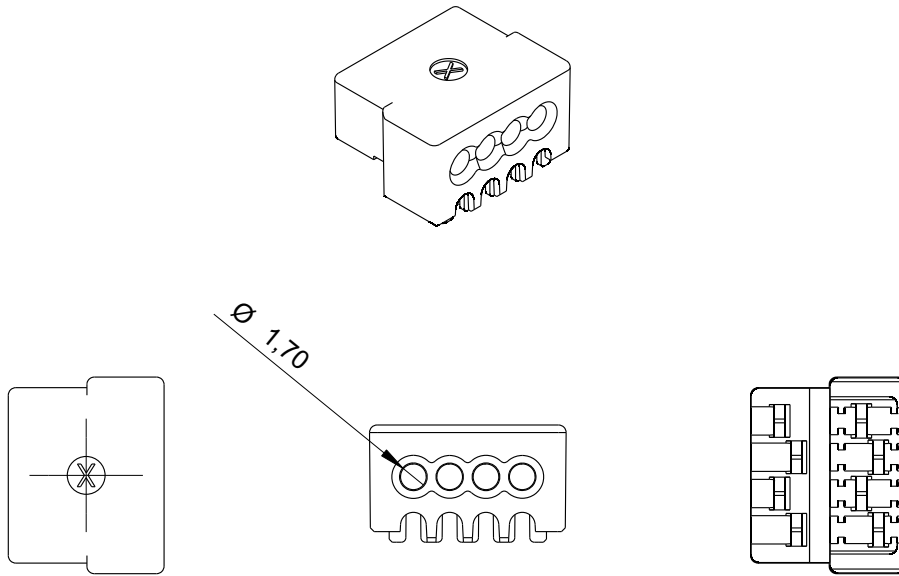


All rights reserved ZVK GmbH D-94244 Teisnach Technologiecampus 2 Germany Phone: +49 9923 804379-0 Fax: +49 9923 804379-50 www.zvk-gmbh.de alle Angaben ohne Gewähr

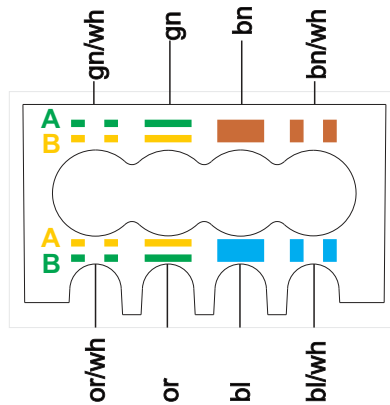
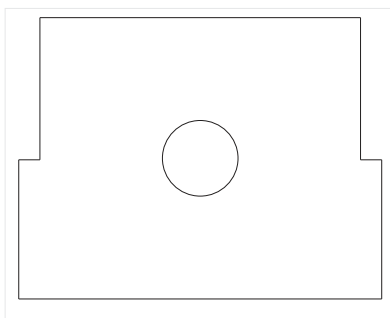
a	Neuerstellung	28.06.2022	LE	drawn	28.06.2022	LE
				appr.	28.06.2022	MJ
Index	Revision code	Date	Name	Titel: <b>fixLink<sup>®</sup> Pro Cat. 6<sub>A</sub> ISO/IEC</b> AWG 24 - AWG 22		
				Drawing number: <b>ZN-CU220059</b>		
				Dimensions: mm Original: DIN A4 Sheet 3 of 4		



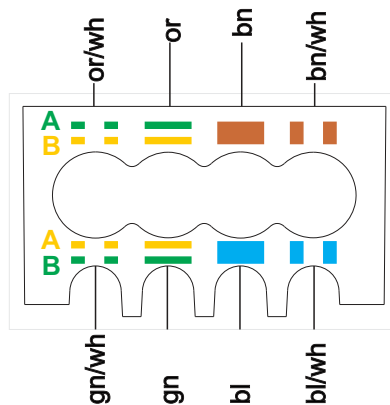
## Drawing



## Configuration



Configuration to  
TIA/EIA 568 A



Configuration to  
TIA/EIA 568 B

				drawn	28.06.2022	LE	
				appr.	28.06.2022	MJ	
a	Neuerstellung	28.06.2022	LE	Titel: <b>fixLink<sup>®</sup> Pro Cat. 6<sub>A</sub> ISO/IEC</b> AWG 24 - AWG 22			Dimensions: mm
				Drawing number: <b>ZN-CU220059</b>			Original: DIN A4
							Sheet 4 of 4
Index	Revision code	Date	Name				