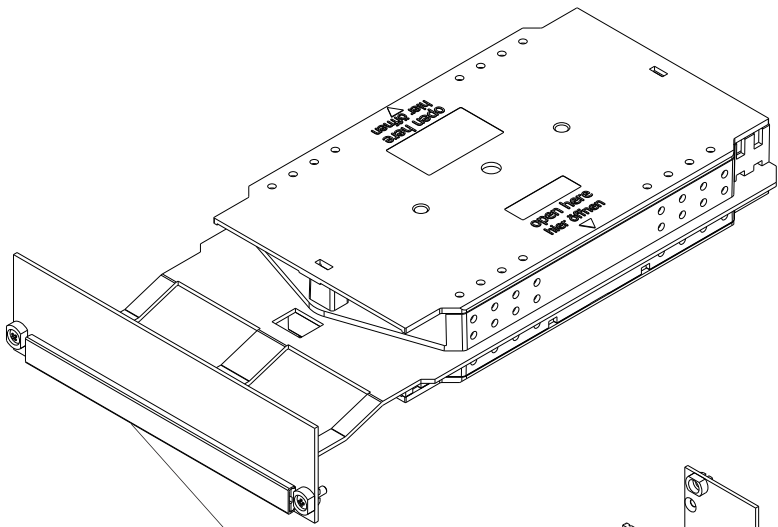


Technical Data sheet

Splice Plug-in Module for Module Rack

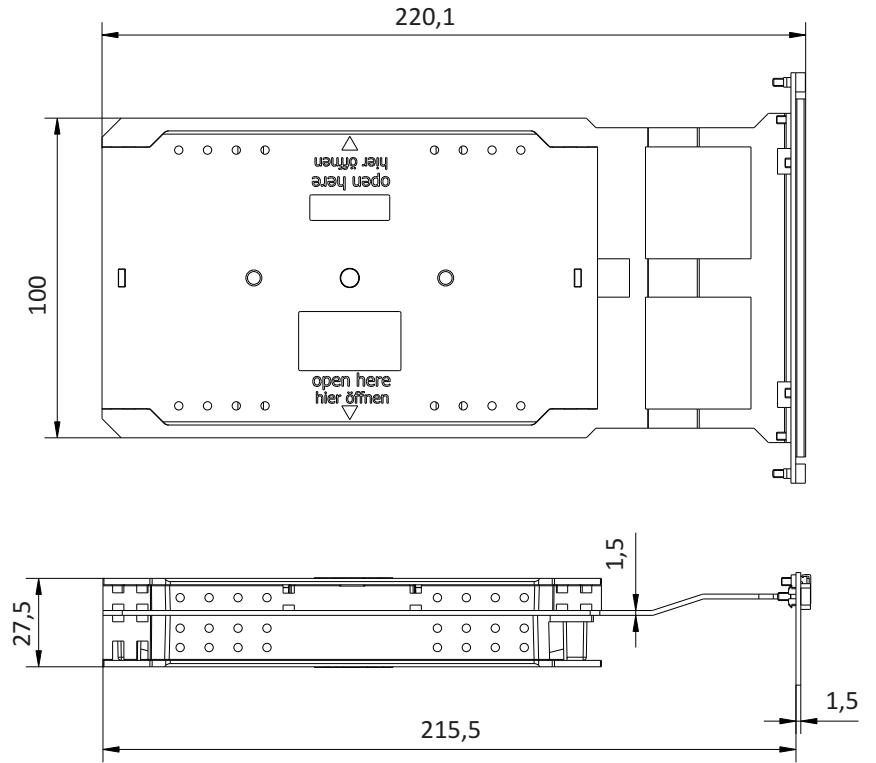
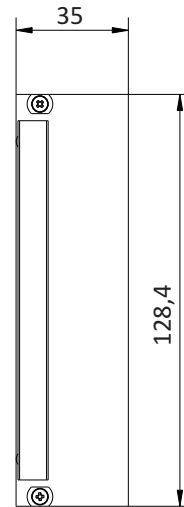
3U / 7HP



Labelling Set

Order Nr.:
AVZBTK112

Material	
Front plate	Aluminium
Plug-in	Aluminium



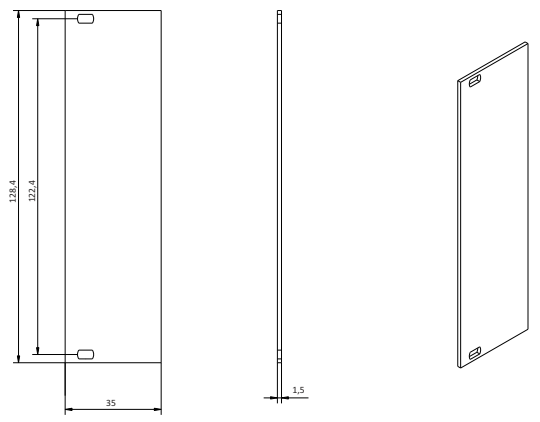
d	Änderung	19.01.23	LE	drawn	06.03.2018	LP			
				c	Änderung	28.01.21	LP	appr.	06.03.2018
b	Änderung	16.08.18	LP	Titel:					
a	Neuerstellung	06.03.18	LP	Splice Plug-in Module					
Index				Revision code			Drawing number:		
				Date			ZN-BL181510		
				Name			Dimensions: mm		
							Original: DIN A4		
							Sheet 1 of 2		



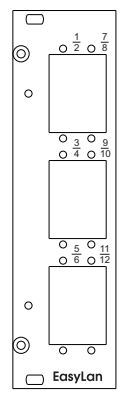
All rights reserved. ZVK GmbH D-94244 Teisnach, Technologiecampus 2, Germany. Phone: +49 9923 804379-0 Fax: +49 9923 804379-50 www.zvk-gmbh.de

1 2 3 4 5 6 7 8

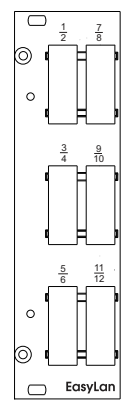
A
B
C
D
E
F



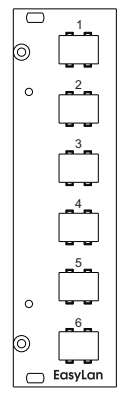
6x SC-Duplex /
(6x LC-Quad screwable)



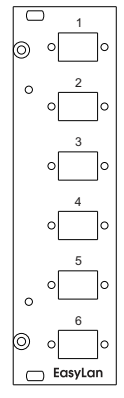
6x LC-Quad Snap-In
(Standard EasyLan® adaptors)



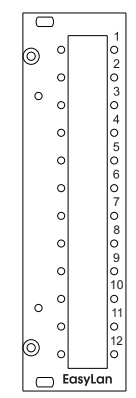
6x LC-Duplex Snap-In
(Standard EasyLan® adaptors)



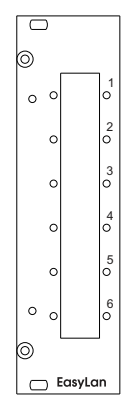
6x SC-Simplex
6x LC-Duplex



12x SC-Simplex
12x E2000-Simplex



6x E2000 Compact
DX-Channels



Index	Revision code	Date	Name	drawn	06.03.2018	LP
				appr.	06.03.2018	MJ
Titel:				Splice Plug-in Module 3U / 7HP		
Drawing number:				ZN-BL181510		



Dimensions: mm
Original: DIN A4
Sheet 2 of 2

1 2 3 4 5 6 7 8